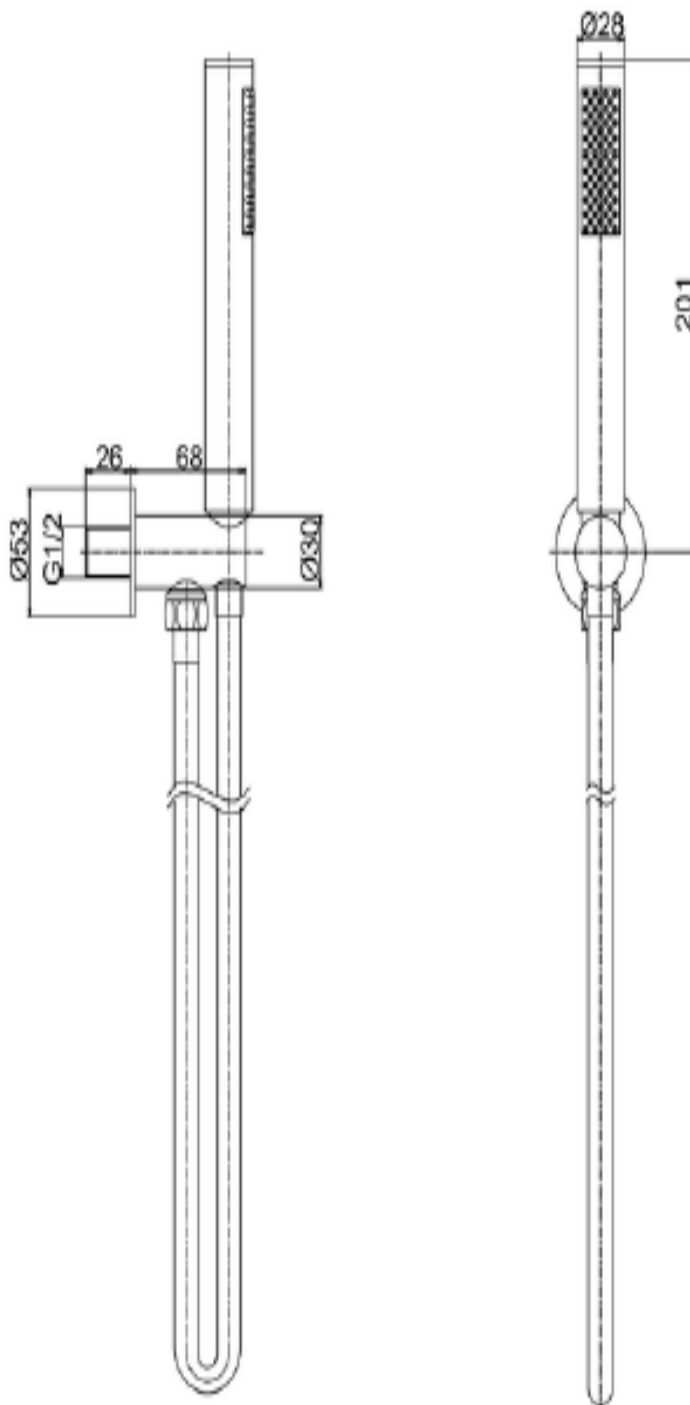




**bath  
store**

## METRO SHOWER HANDSET WITH HOSE & WALL BRACKET BSSK963C



### Note:

For each part of the accessory, the dimension tolerance should be followed the list below.

0 - 100	101 - 200	201 - 400	≥ 401
±1	±2	±3	±5

For the finished assembly, the dimension tolerance should be followed the list below.

0 - 300	≥ 301
±2	±5

