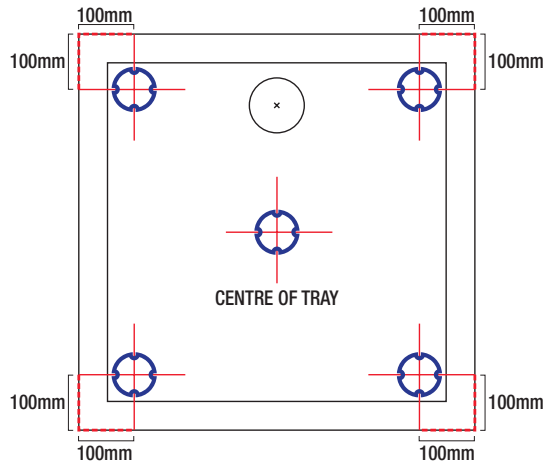


bathstore FITTING KIT ADVANCE INSTRUCTIONS - TECHNICAL DRAWINGS

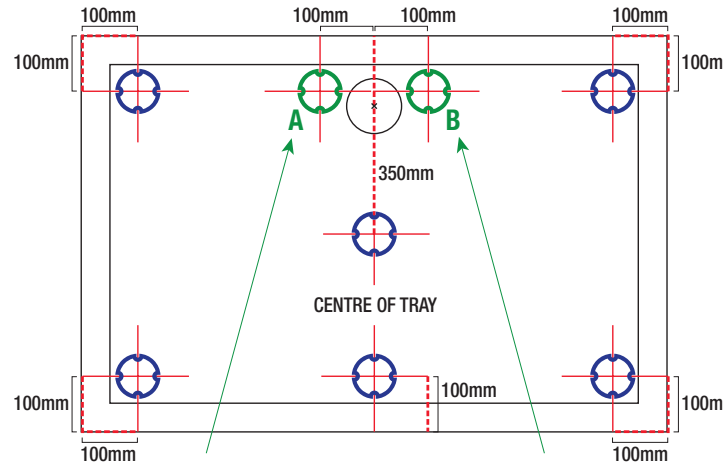
KIT A 760mm - 900mm

(5 Legs supplied in Kit A)



KIT B 1000mm - 1200mm

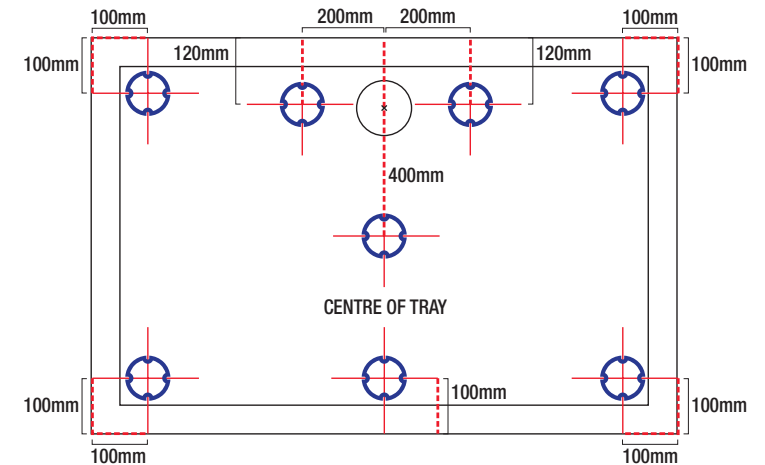
(7 Legs supplied in Kit B)



Optional leg Position - Place in either option A or B, based on the plumbing of the waste flow

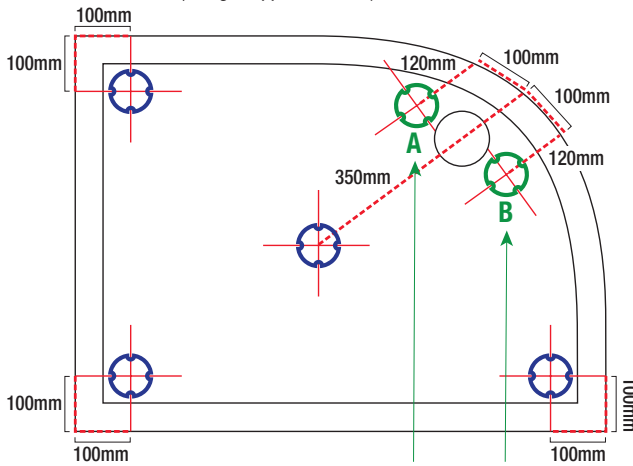
KIT C 1400mm - 1700mm

(8 Legs supplied in Kit C)



KIT D 800mm & 900mm Quad

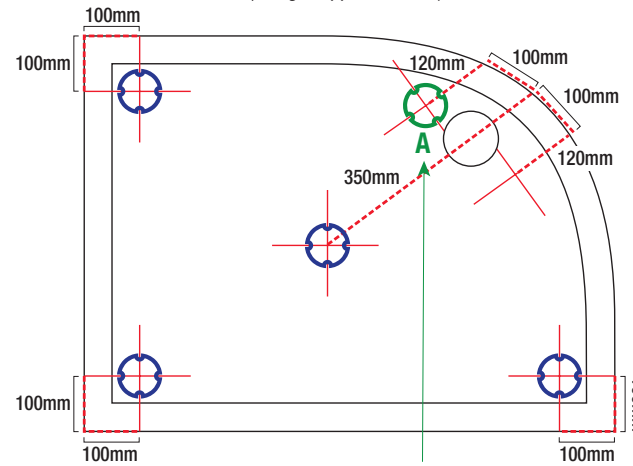
(5 Legs supplied in Kit D)



Optional leg Position - Place in either option A or B, based on the plumbing of the waste flow

KIT E 1200x800mm 1200x900mm Quad

(5 Legs supplied in Kit E)



Leg MUST be placed in position A (the longest side of the quadrant tray)

 = Essential leg positional guides (Ensure correct positions/measurements)

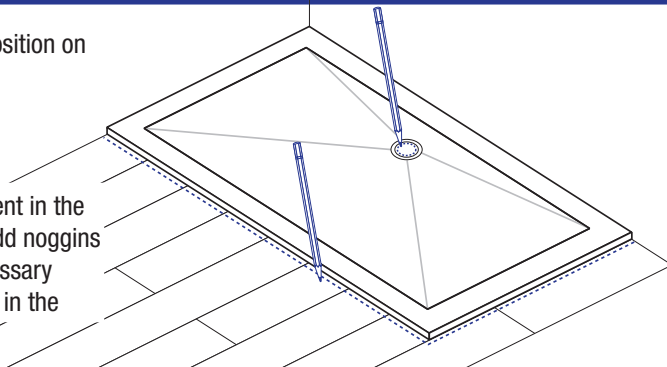
 = Optional leg positional guides - Choose A or B (based on position of waste flow)

bathstore FITTING KIT ADVANCE INSTRUCTIONS - TECHNICAL DRAWINGS

1 - DRAW SHOWER TRAY POSITION

Place the shower tray in position on the floor. Draw around the waste and outer edge with a pencil or marker.

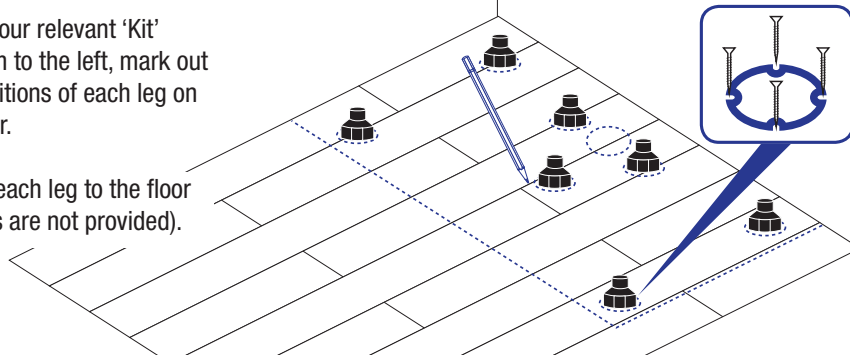
Ensure there is no movement in the flooring under each leg. Add noggins between floor joists if necessary (failure to do so may result in the tray cracking).



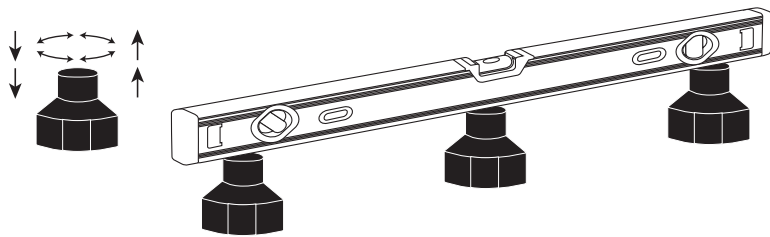
2 - MARK POSITIONS AND SCREW LEGS

Using your relevant 'Kit' diagram to the left, mark out the positions of each leg on the floor.

Screw each leg to the floor (screws are not provided).



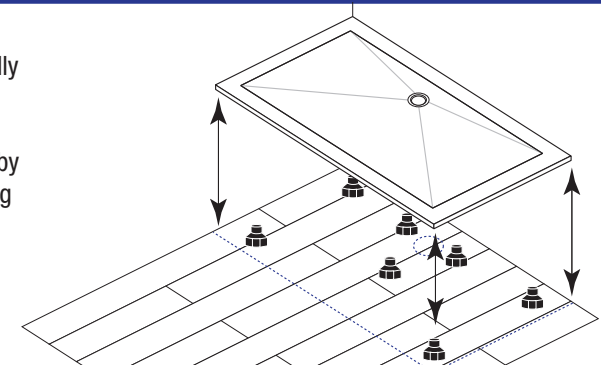
3 - LEVEL LEGS



Using a long spirit level, align each leg level with the others. Adjust the height by turning the rotating cog on the leg.

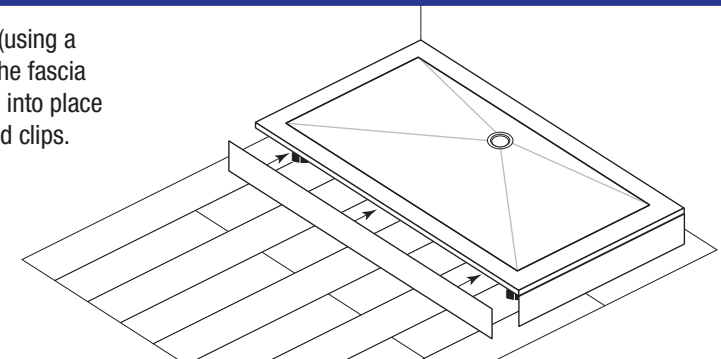
4 - POSITION SHOWER TRAY

Place the tray in position on the legs, ensuring that each leg is fully supporting the base of the tray. Using a long spirit level, check that the tray is level. Adjust legs by turning the rotating cog on the leg (failure to do so may lead to the tray cracking).



5 - PLUMB AND FIT FASCIA PANELS

Finalise all plumbing (using a professional) and fit the fascia panels, locating them into place with the floor mounted clips.



IMPORTANT INFORMATION:

Only use this leg kit with the Elementary shower tray. DO NOT use any other leg system as this could lead to the tray failing and voiding the guarantee.



DISCLAIMER:

When fitting, ensure that each leg is correctly positioned as shown in the relevant diagram. Liability will not be accepted for any tray that has been incorrectly installed.