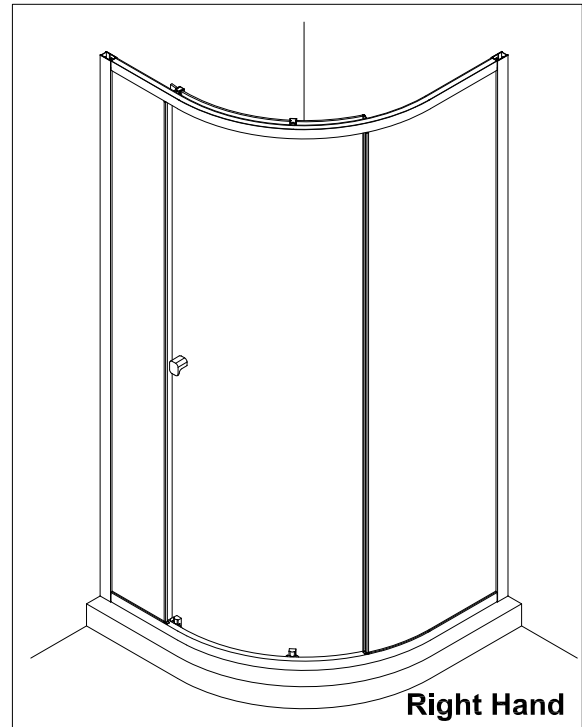
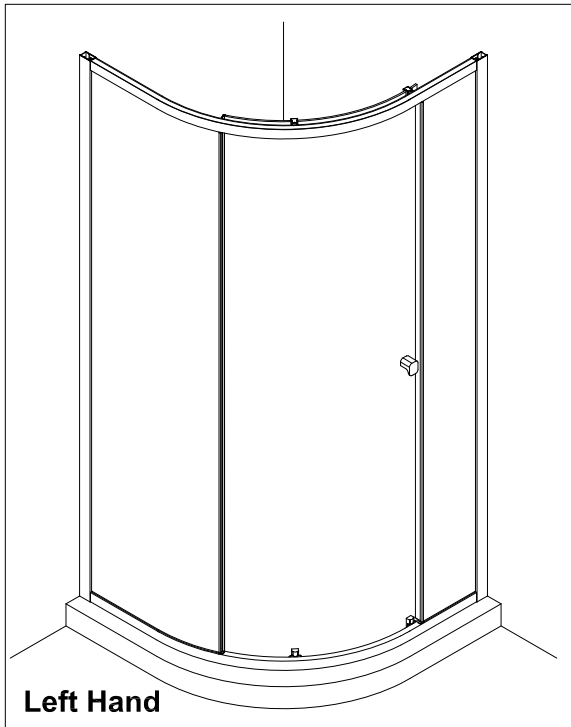
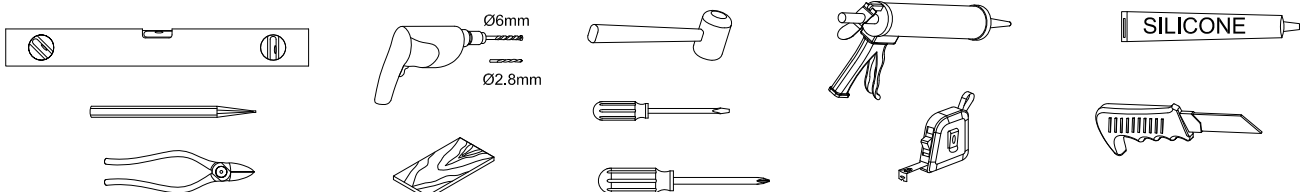


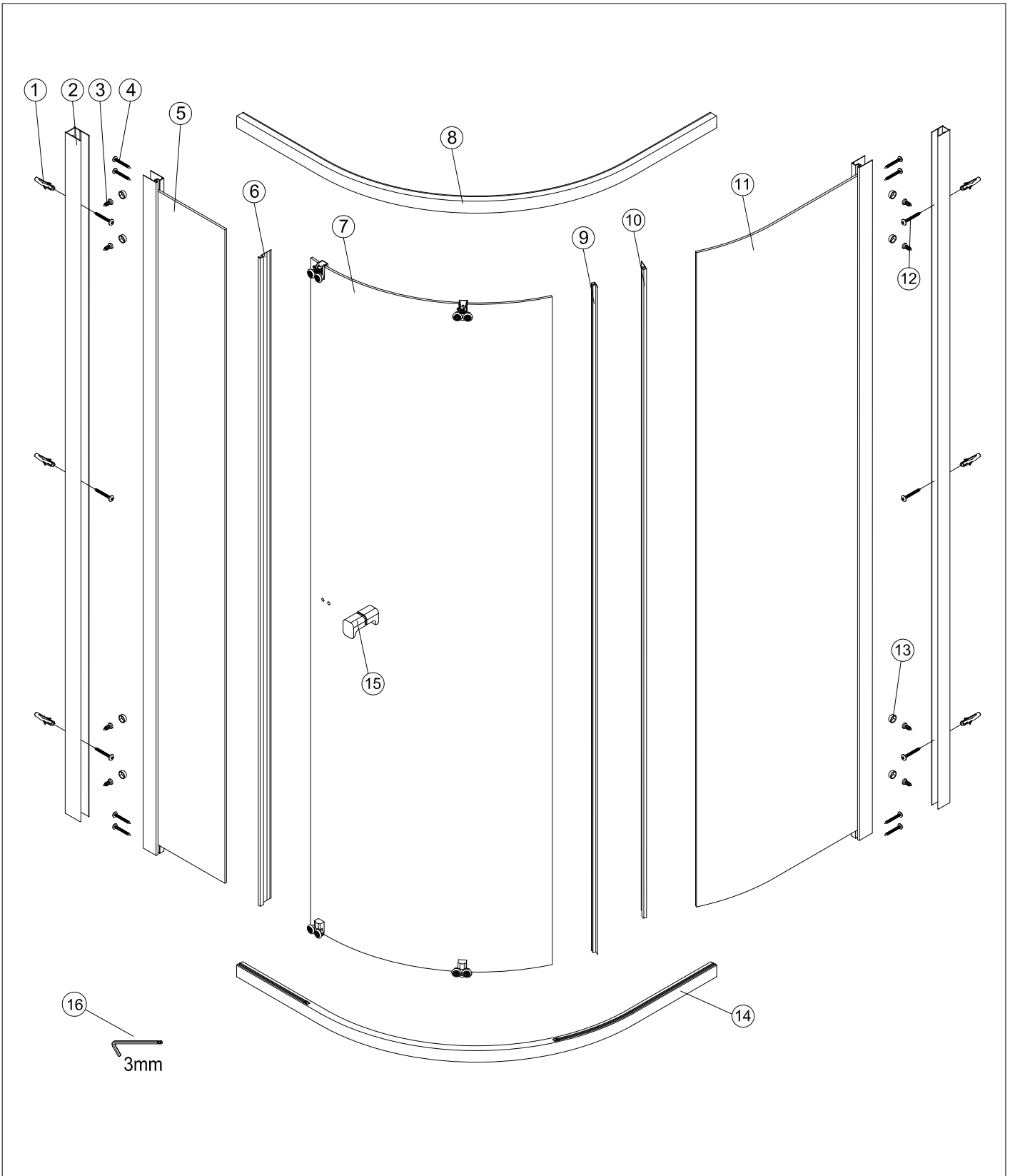
## Noir Quadrant Door Matt Black Clean Plus Installation Instructions


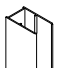
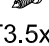

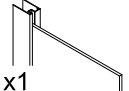
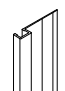
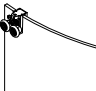


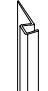
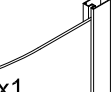


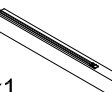
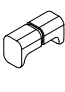



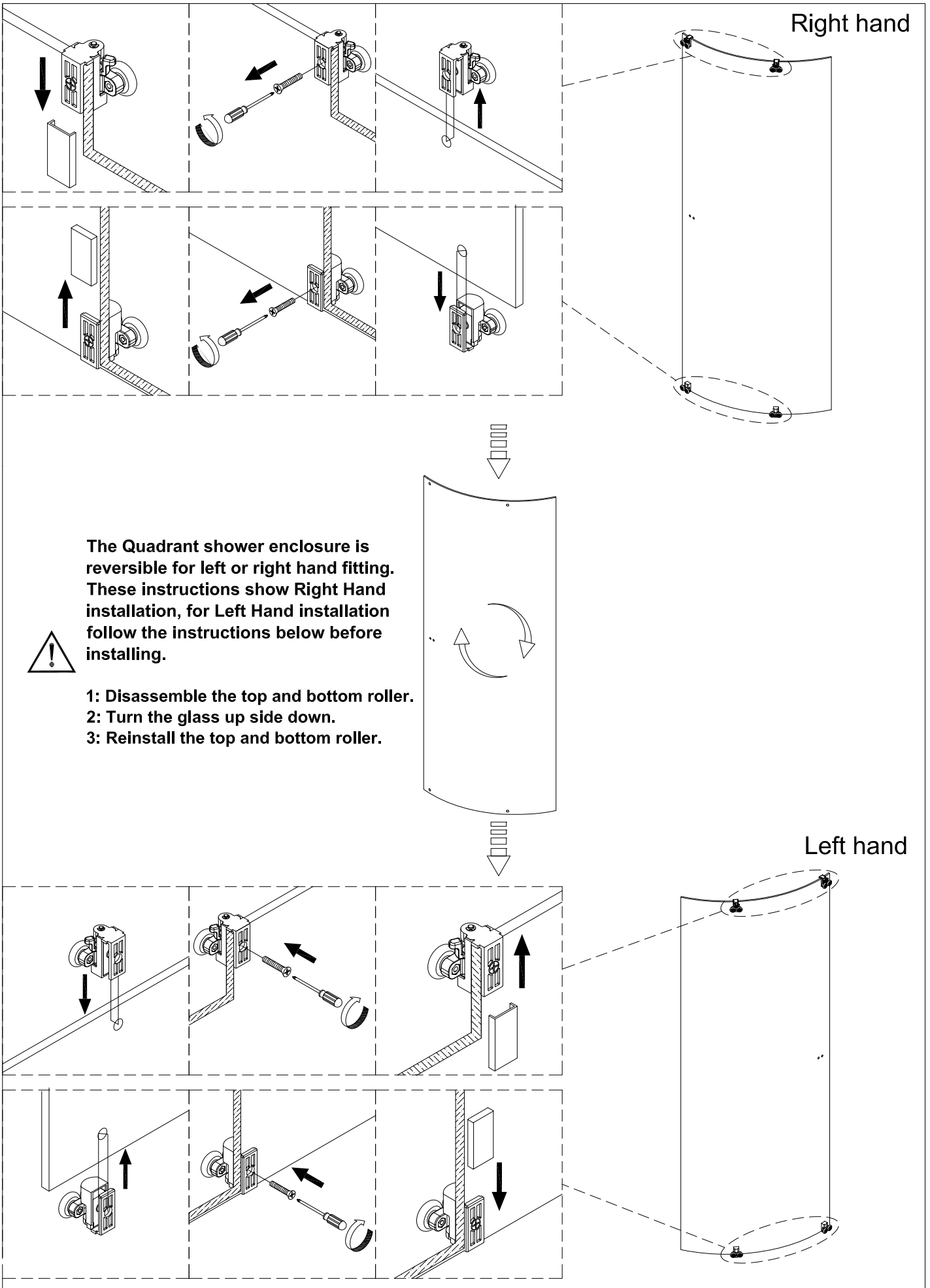
- Prior to installation check that all fittings have been supplied.
- The tray should be installed by a competent person. The tray should be level, the walls should be tiled down to the tray, and the horizontal joint between the tiles and tray must be sealed with silicone sealant to ensure water-tightness.
- Handle with care. Impacts can damage both the glass and the frame.
- Please check for any hidden pipes or cables before drilling holes in the wall.
- The success of the installation and operation is, of course, dependant on the squareness, alignment and construction of the walls to which the enclosure is fixed. If the walls are significantly out of true we recommend dry lining the walls to ensure they are both vertical and at 90 ° to each other.
- The enclosure is reversible: " door can be either left or right opening. "  
In the remainder of this manual the illustrations will only show the right hand installation of the quadrant door.
- The wall fixings supplied may not be suitable for your installation. You may need to source alternatives depending on the construction of the wall you are fixing to.

### Tools Required:

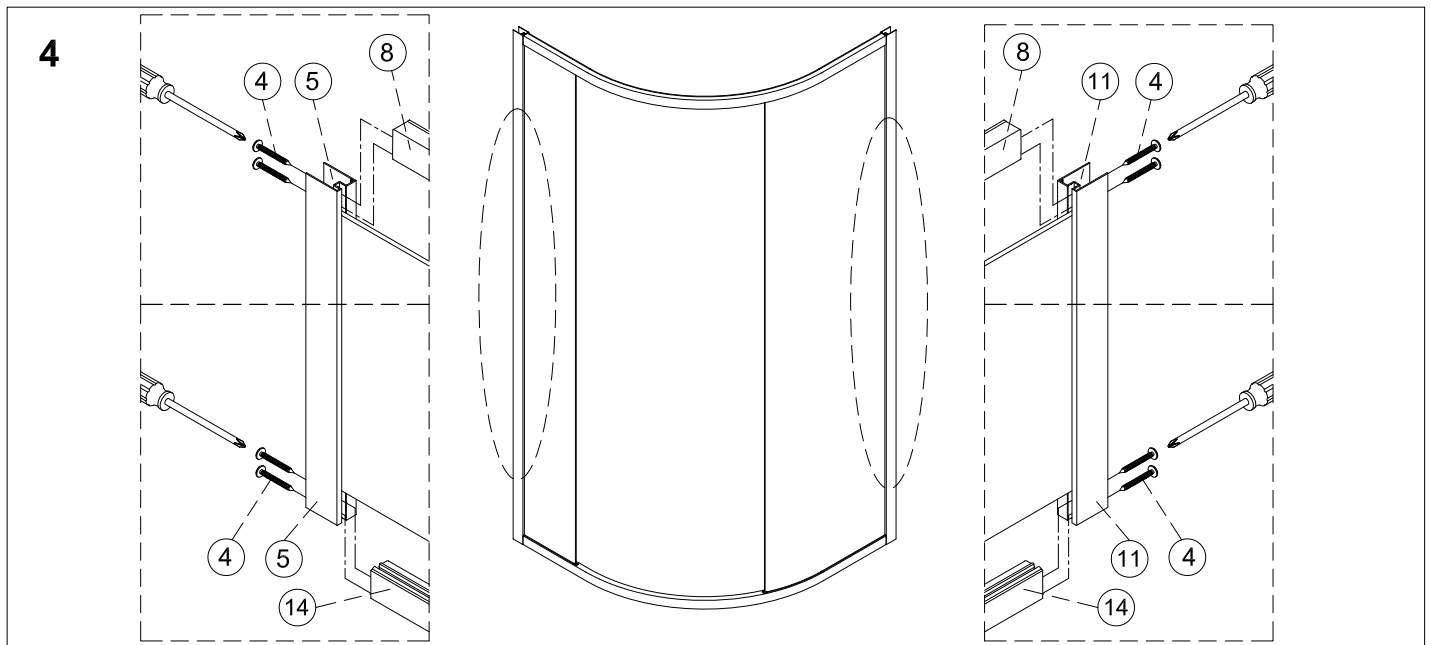
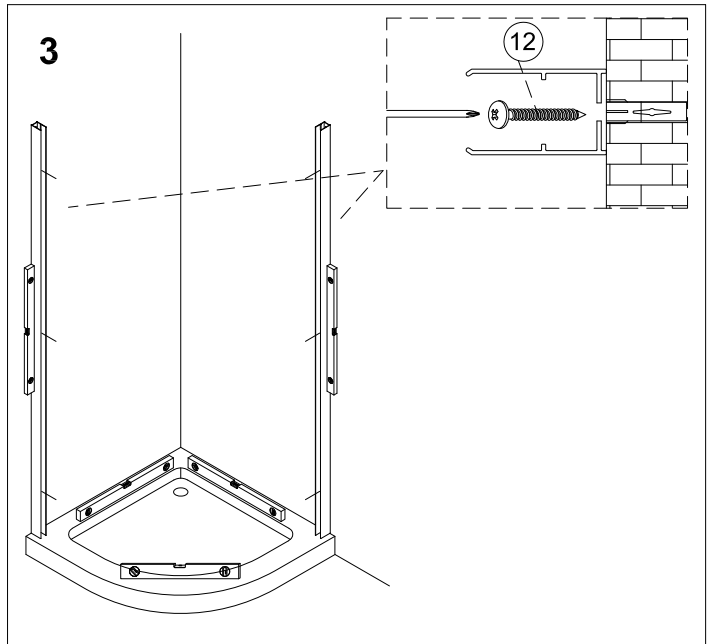
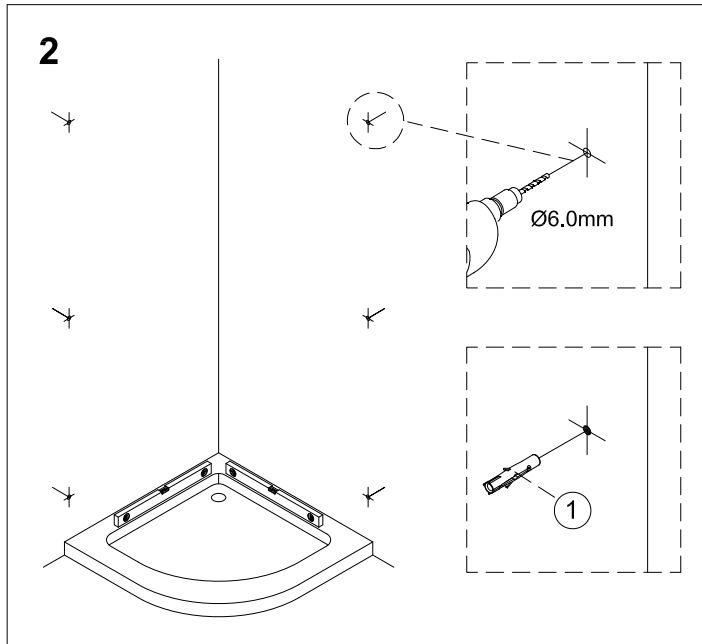
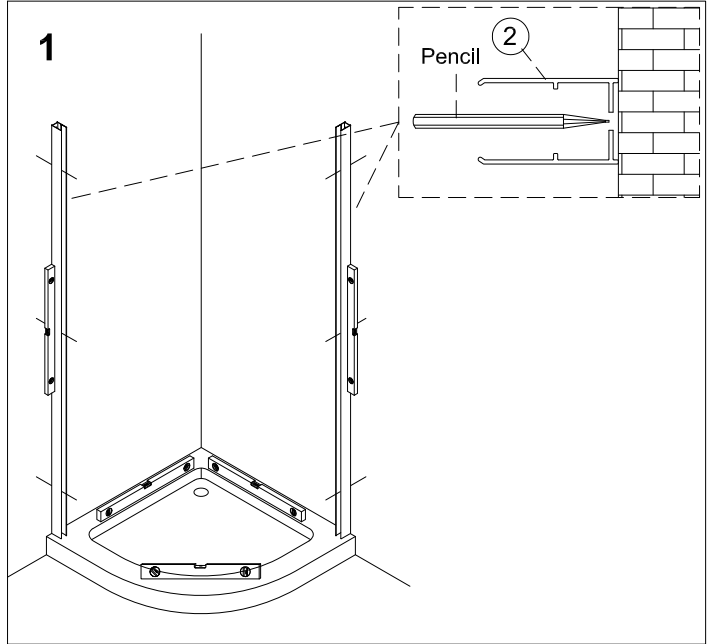
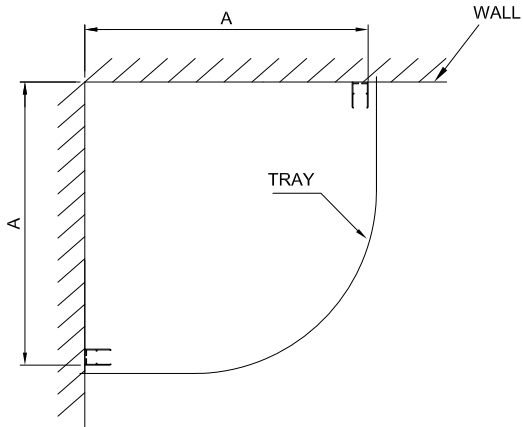


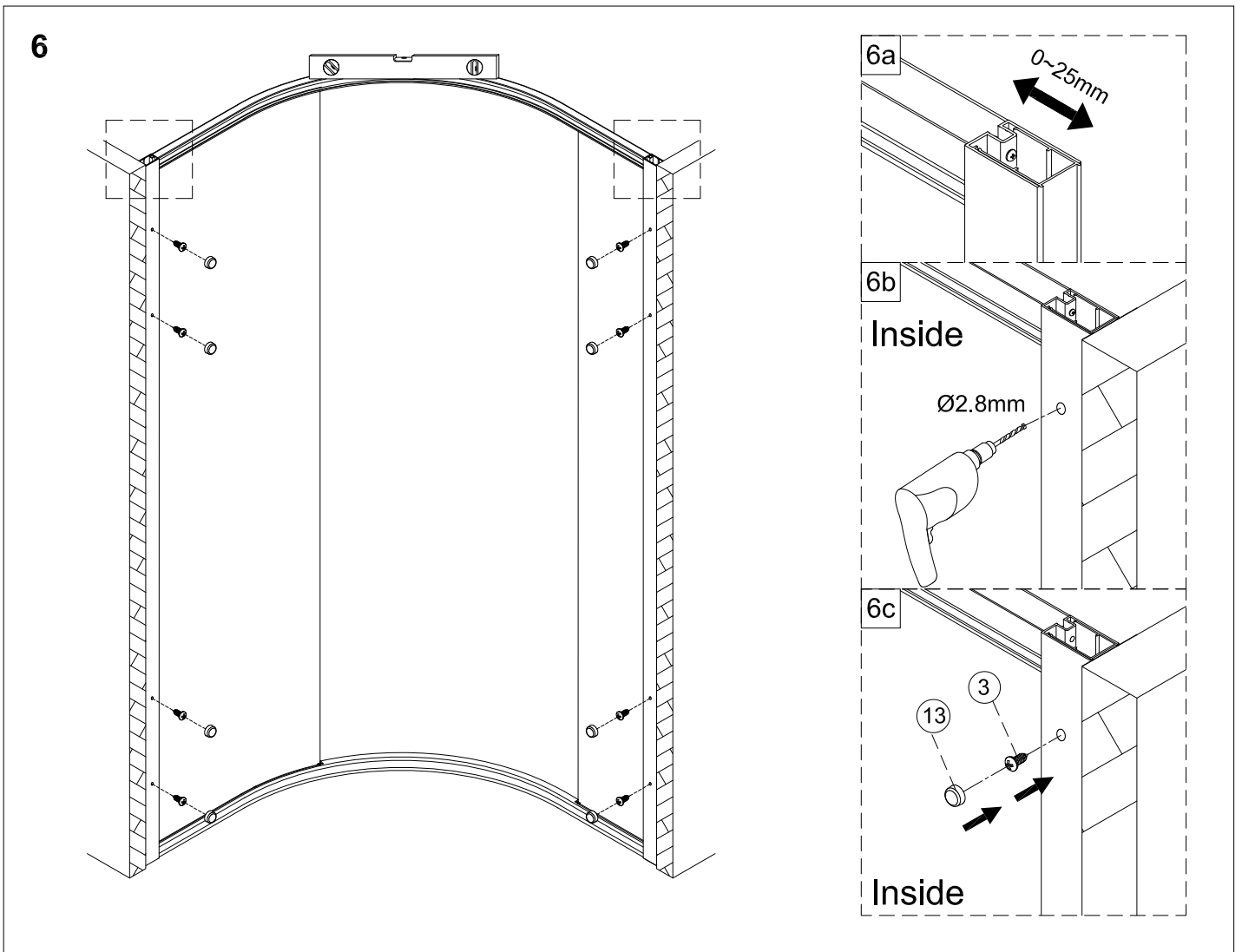
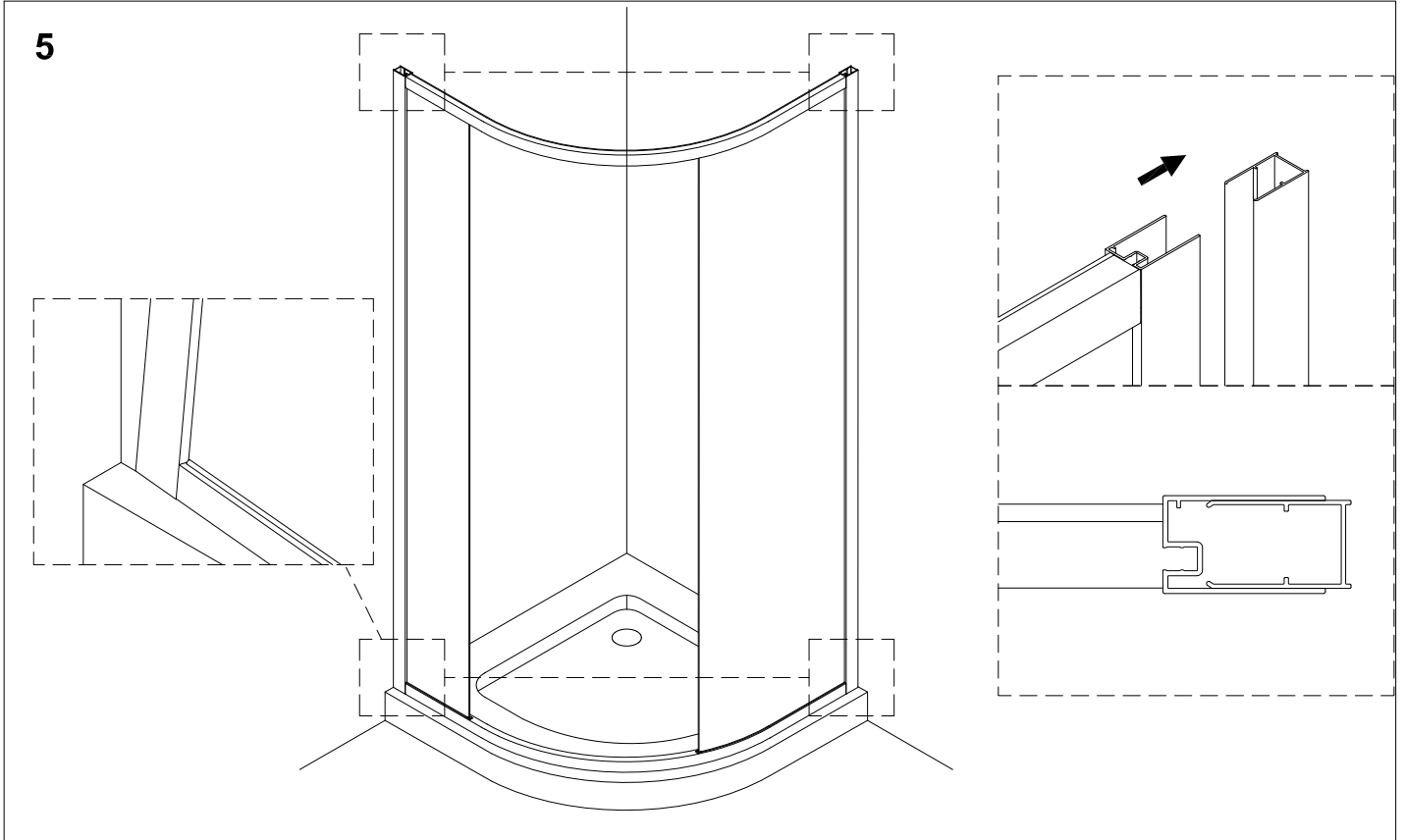


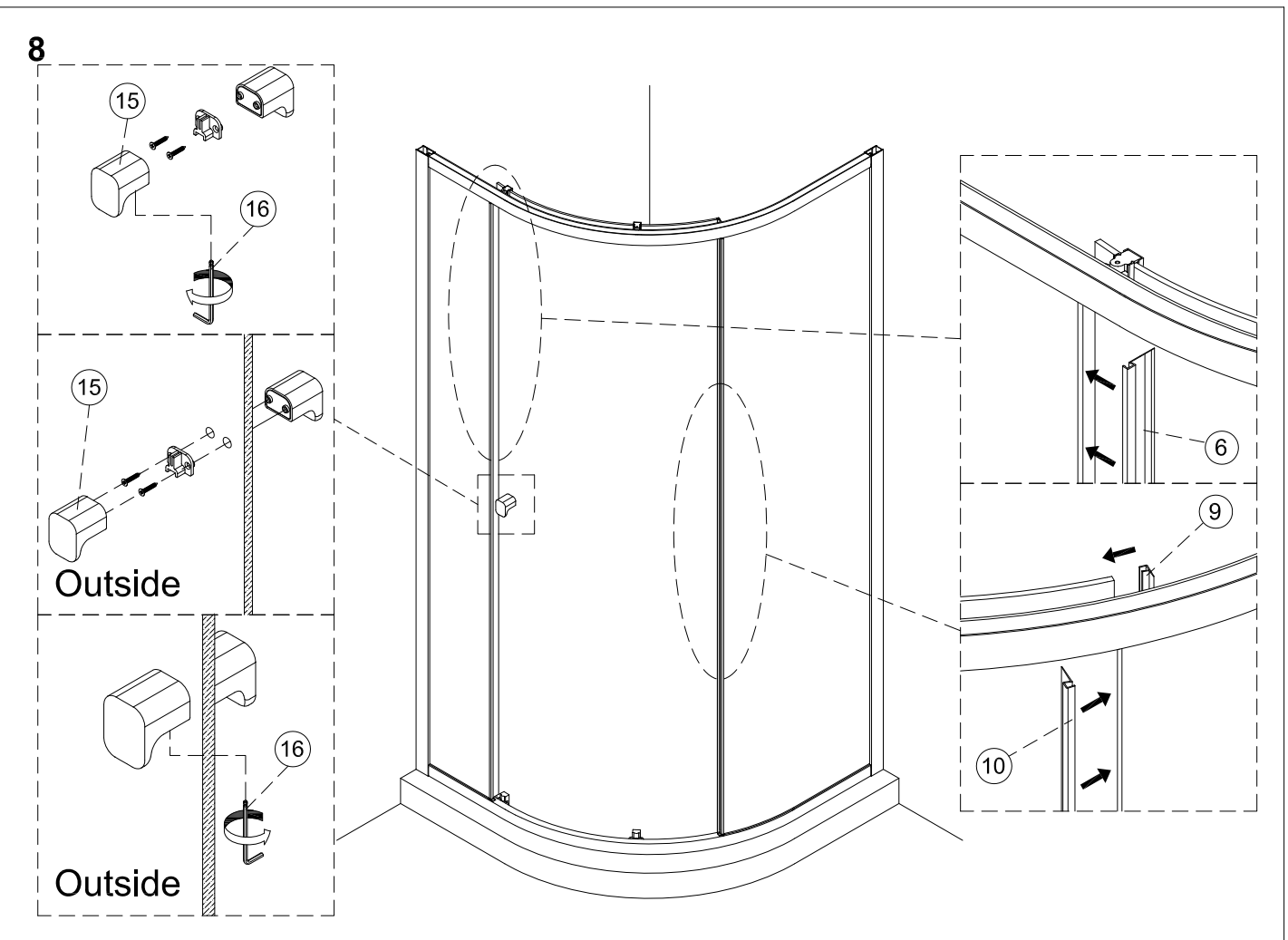
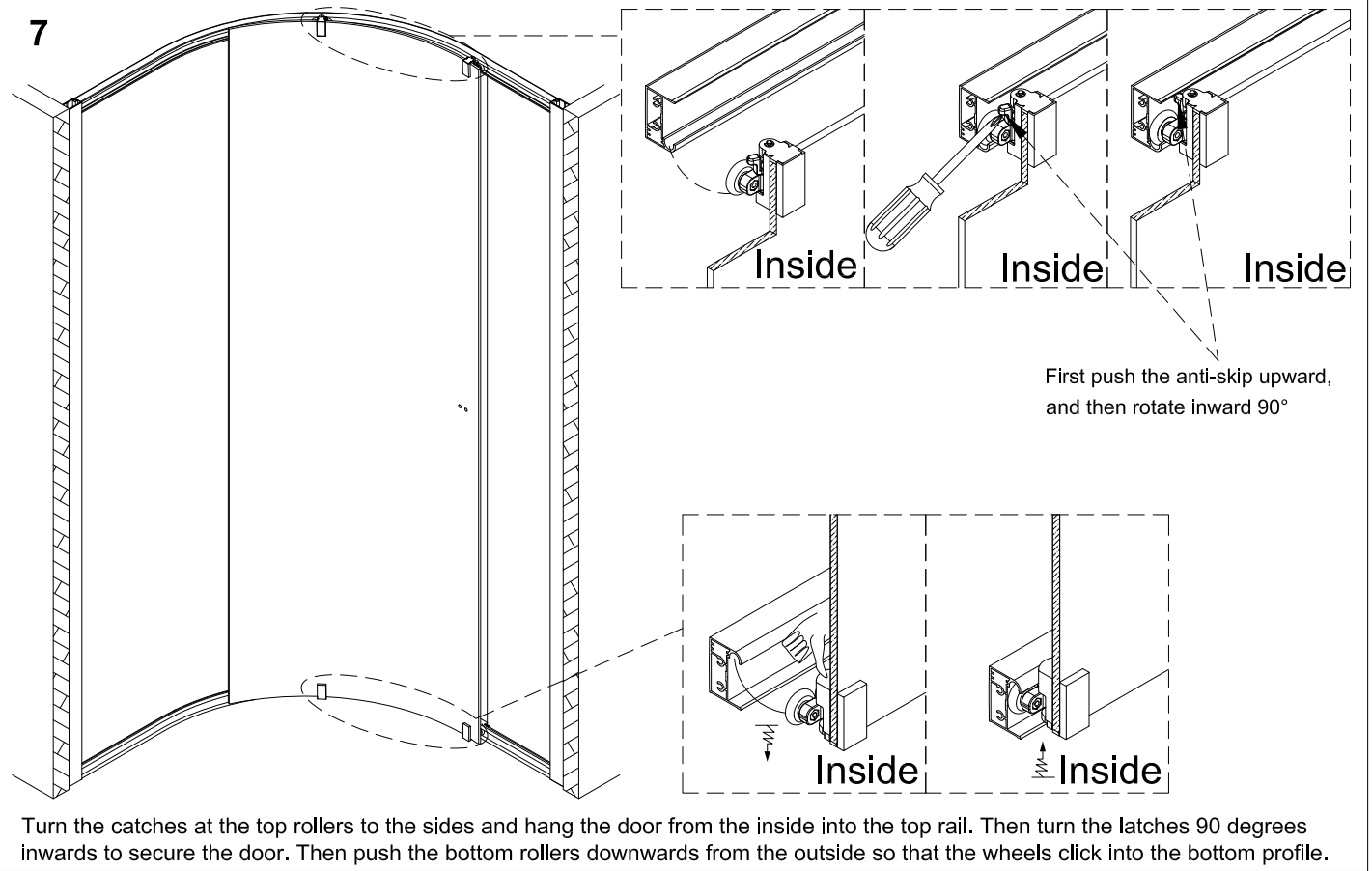
 x6	 x2	 ST3.5x10 x8	 ST4x30 x8	 x1	 x1	 x1	 x1	 x1	 x1
 x1	 ST4x40 x6	 x8	 x1	 x1	 3mm x1				



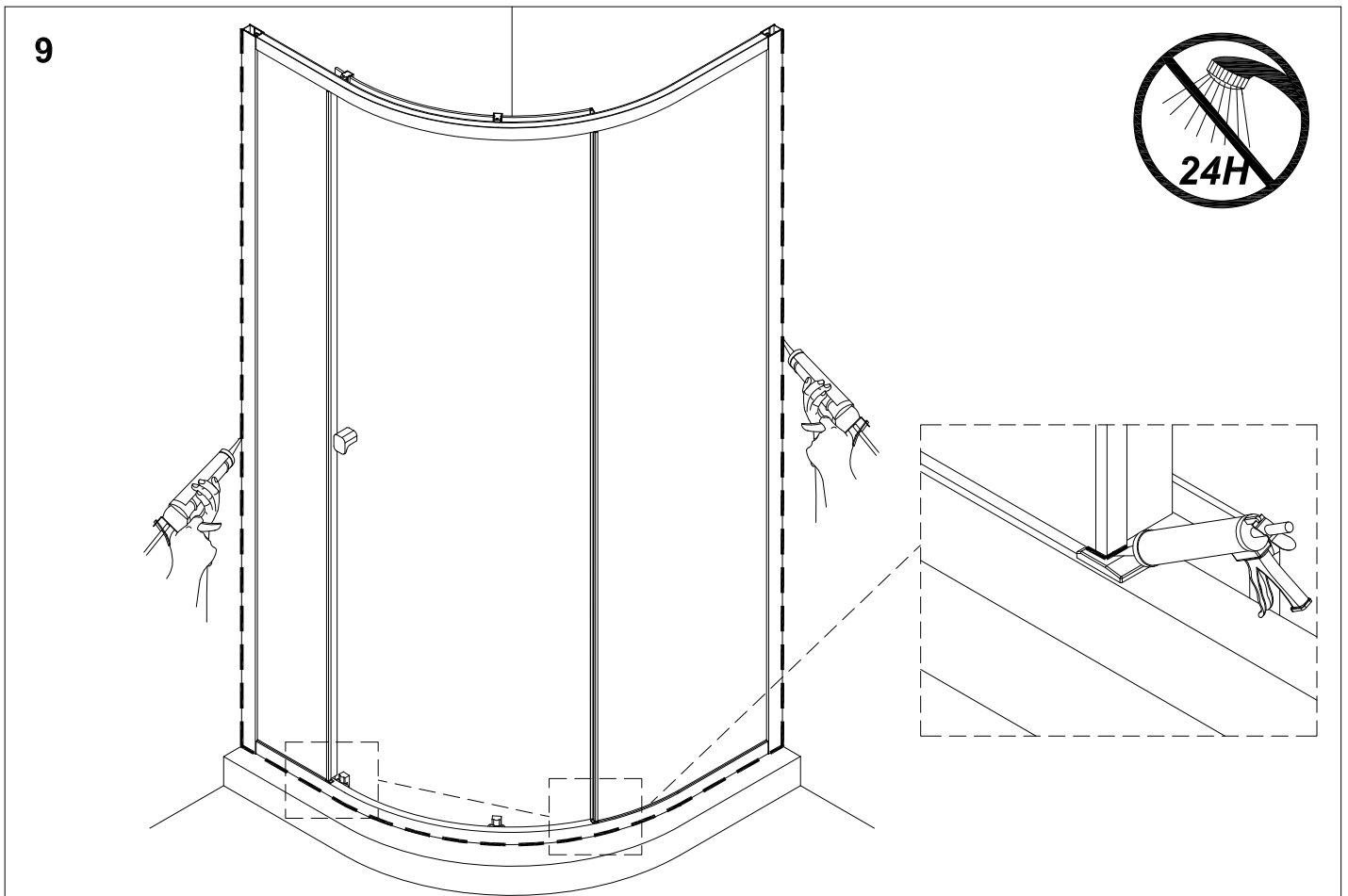
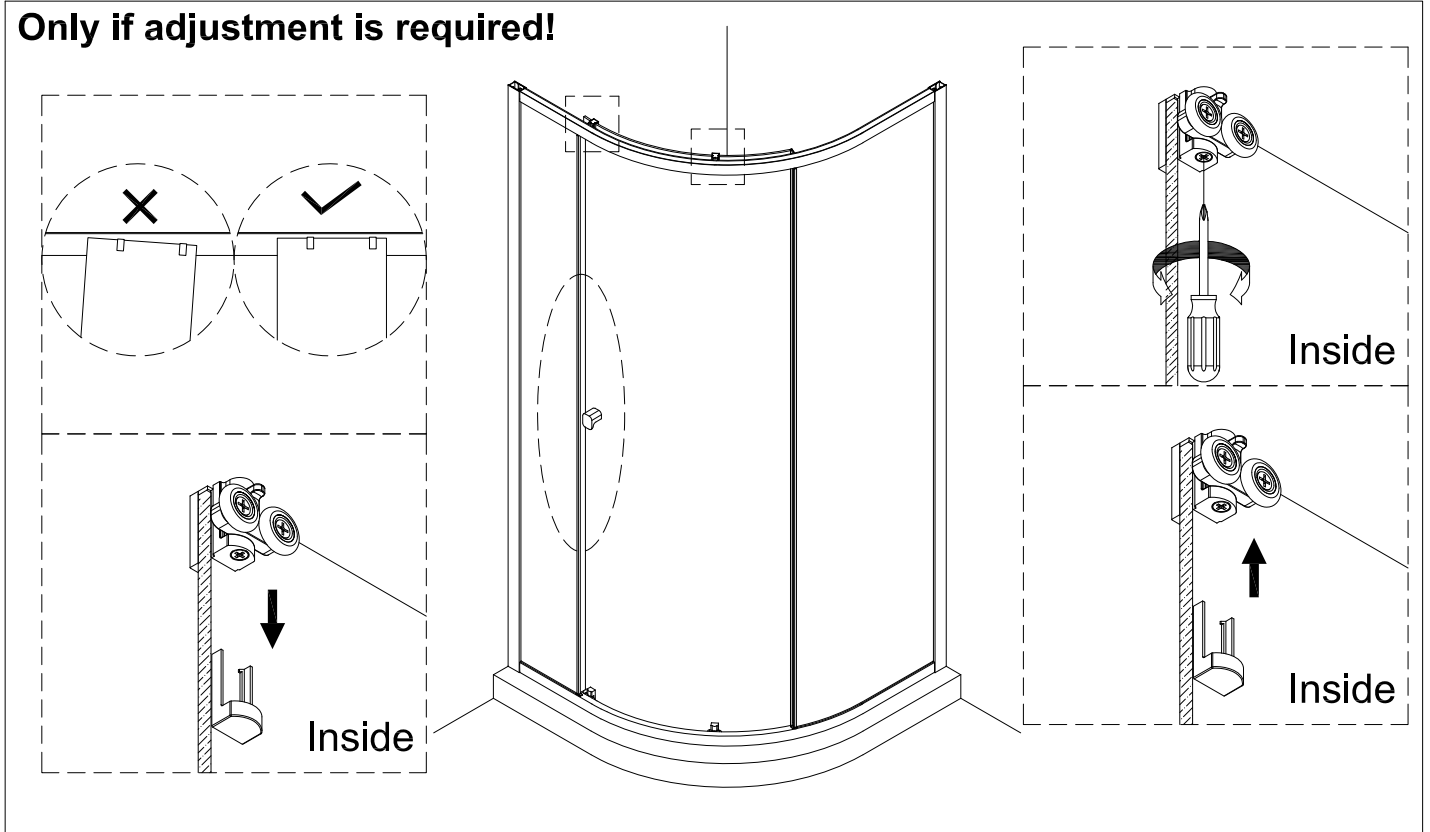
ADJUSTMENT RANGE	
PRODUCT	A (mm)
800 Quadrant Door	770~795
900 Quadrant Door	870~895
This enclosure can be installed on a tray.	







Only if adjustment is required!



**MAINTENANCE FOR EASY CLEAN GLASS**

The side with the label "EASY CLEAN THIS SIDE" is coated.

For routine cleaning we recommend the use of clean lukewarm water and a soft cloth in combination with a regular (non-abrasive) household cleaner.

Please see our website [www.bathstore.com](http://www.bathstore.com) for any assistance.