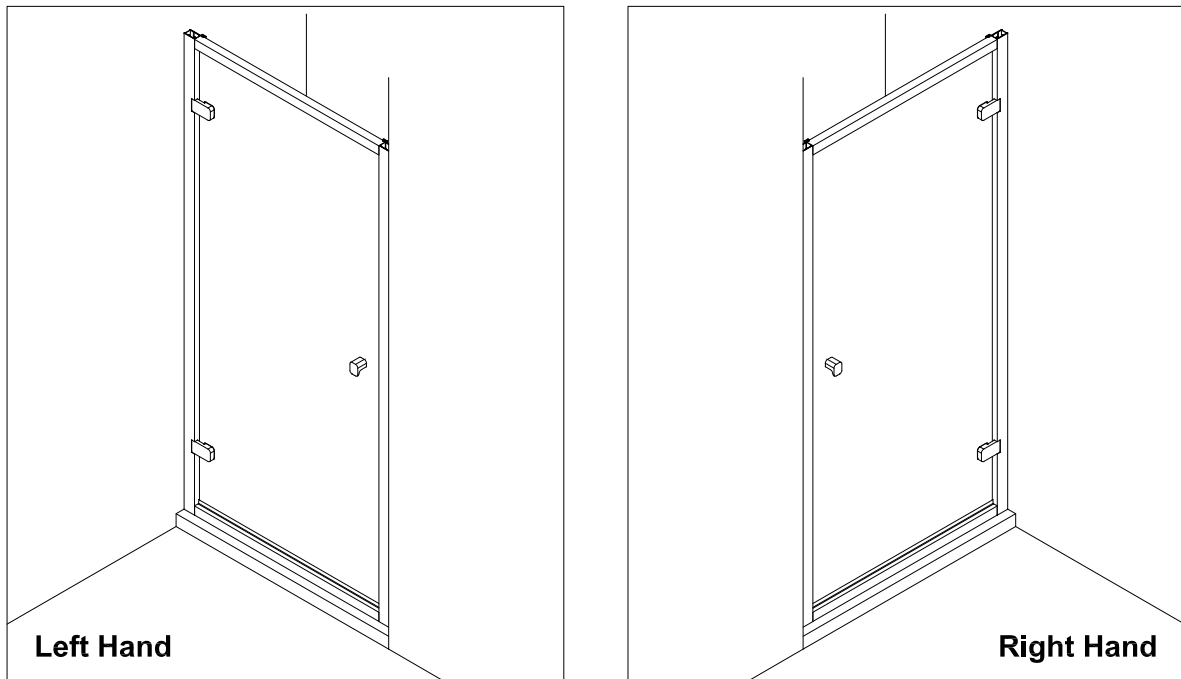
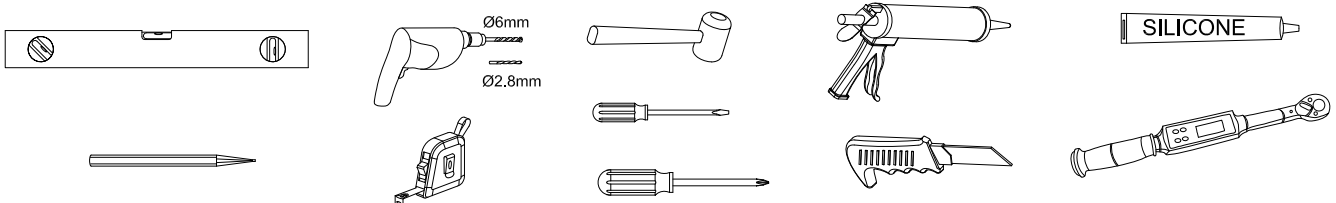


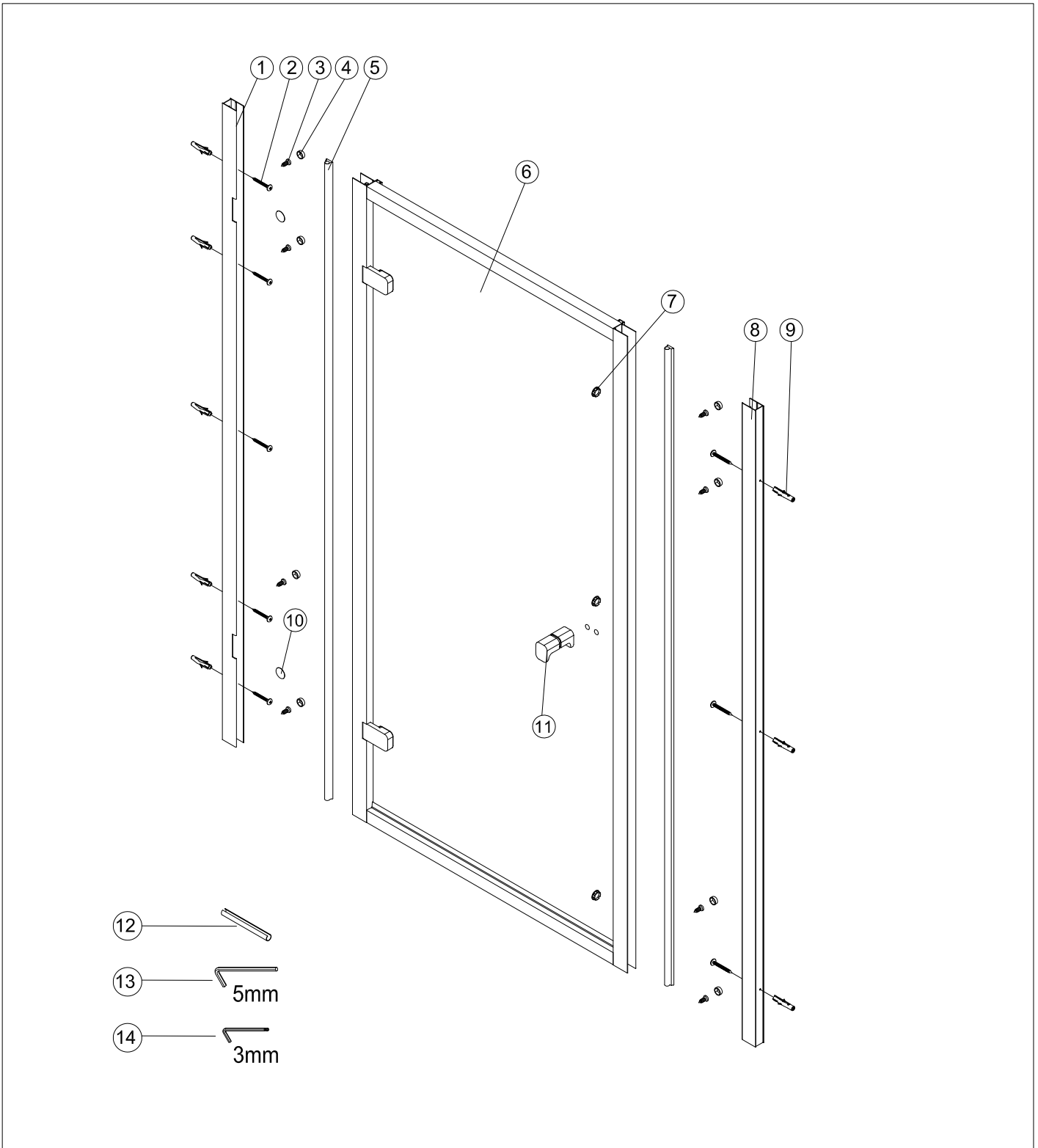
Noir Hinge Door Matt Black Clean Plus Installation Instructions






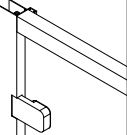


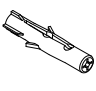

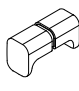
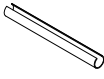




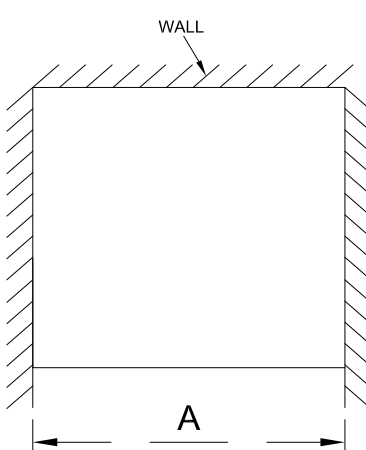
- Prior to installation check that all fittings have been supplied.
- The tray should be installed by a competent person. The tray should be level, the walls should be tiled down to the tray, and the horizontal joint between the tiles and tray must be sealed with silicone sealant to ensure water-tightness.
- Handle with care. Impacts can damage both the glass and the frame.
- Please check for any hidden pipes or cables before drilling holes in the wall.
- The success of the installation and operation is, of course, dependant on the squareness, alignment and construction of the walls to which the enclosure is fixed. If the walls are significantly out of true we recommend dry lining the walls to ensure they are both vertical and at 90 ° to each other.
- The enclosure is reversible: " door can be either left or right opening. "
- In the remainder of this manual the illustrations will only show the left hand installation of the slider door.
- The wall fixings supplied may not be suitable for your installation. You may need to source alternatives depending on the construction of the wall you are fixing to.

Tools Required:





1  x1	2  ST4x40 x8	3  ST3.5x10 x8	4  x8	5  x2	6  x1	7  x3
8  x1	9  x8	10  x2	11  x1	12  x1	13  5mm x1	14  3mm x1



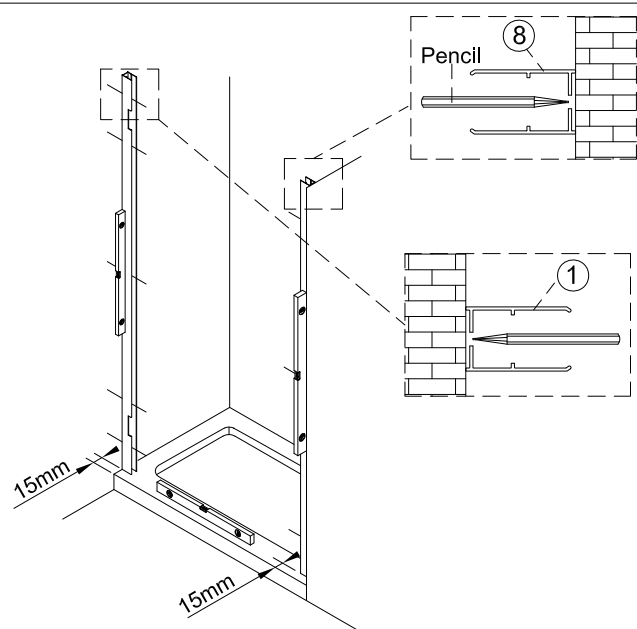
WALL

A

ADJUSTMENT RANGE	
PRODUCT	A (mm)
800 hinge door	770-820
900 hinge door	870-920

Please measure the distance between two walls before installation. Ensure the distance is within the adjustment range of product, as is listed above.

1



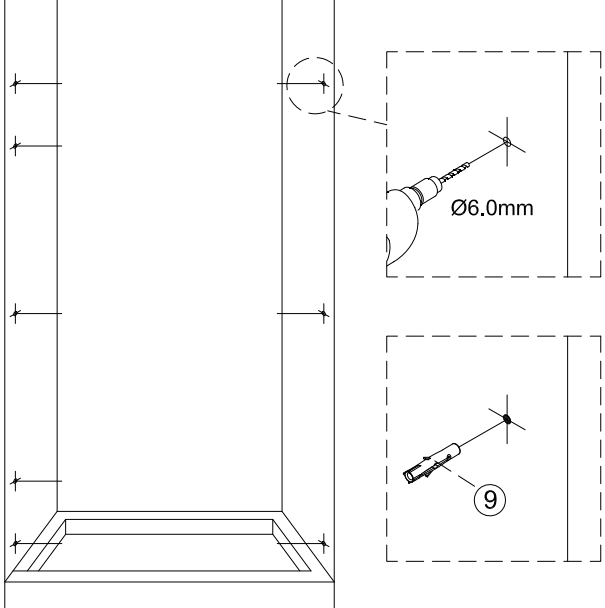
Pencil 8

1

15mm

15mm

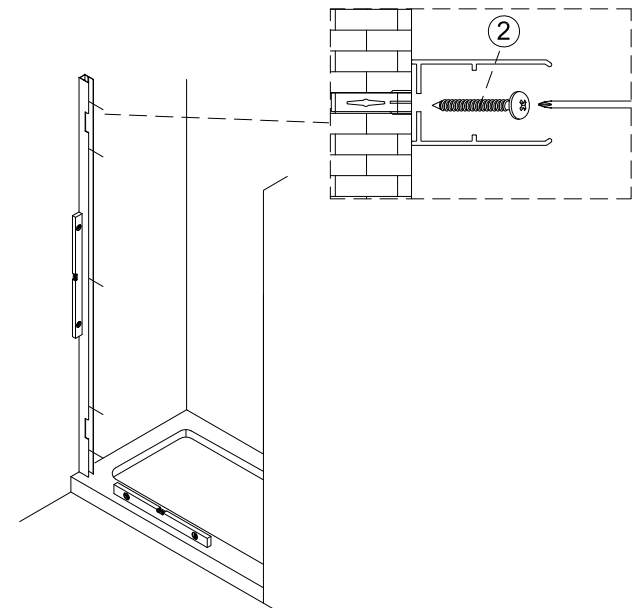
2



Ø6.0mm

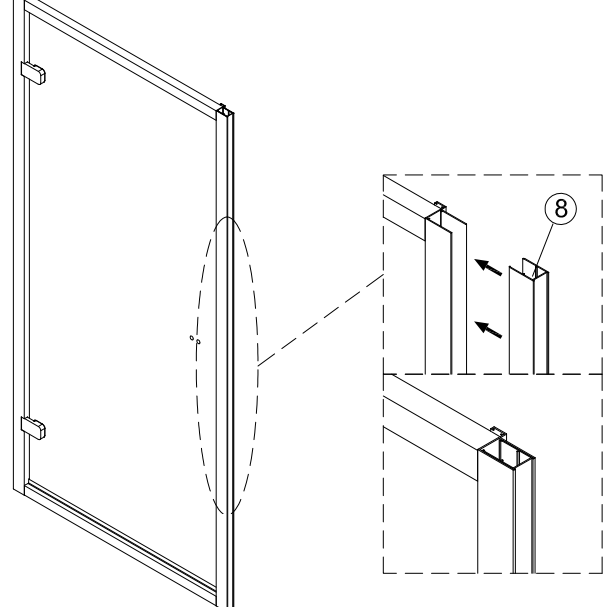
9

3

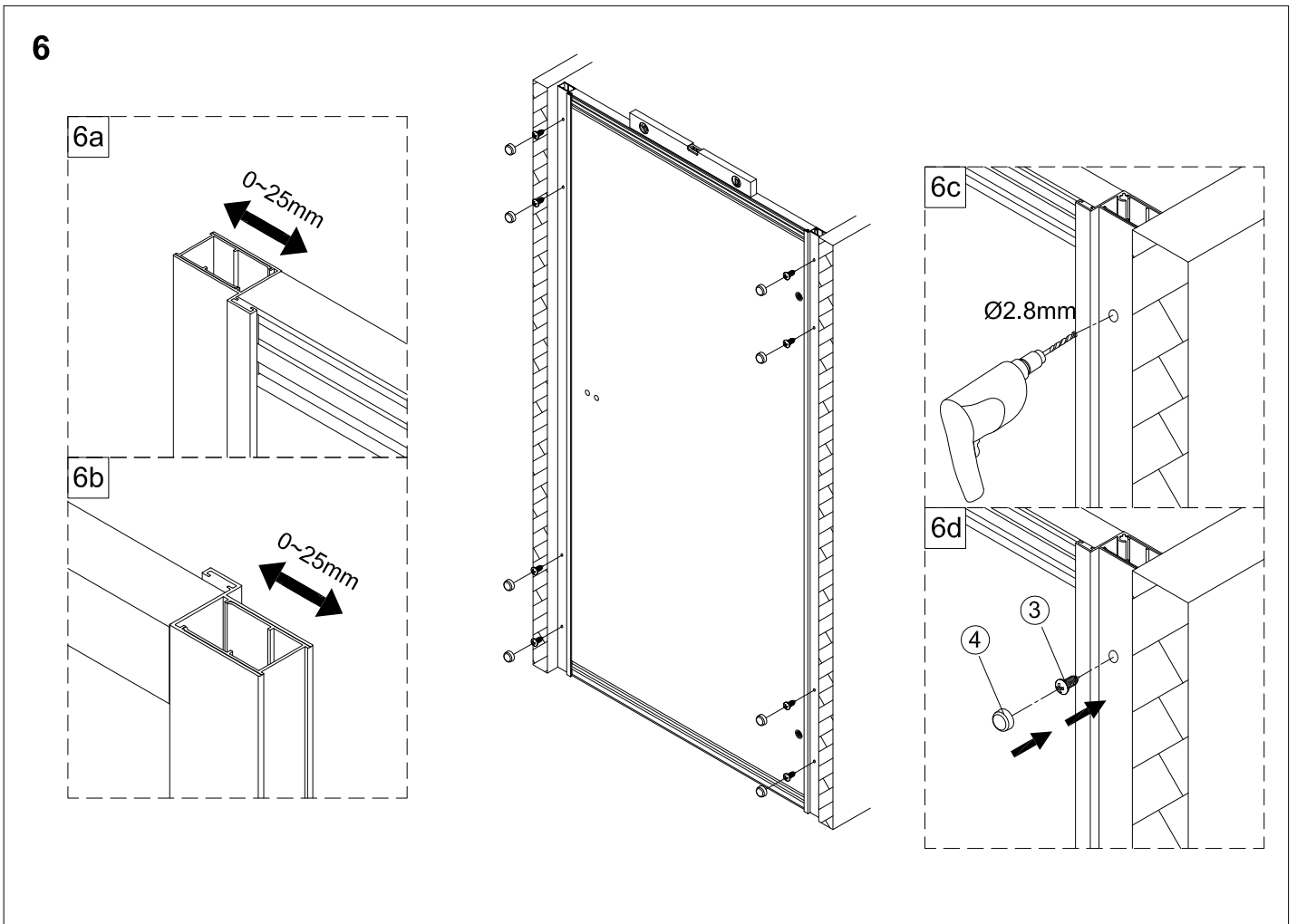
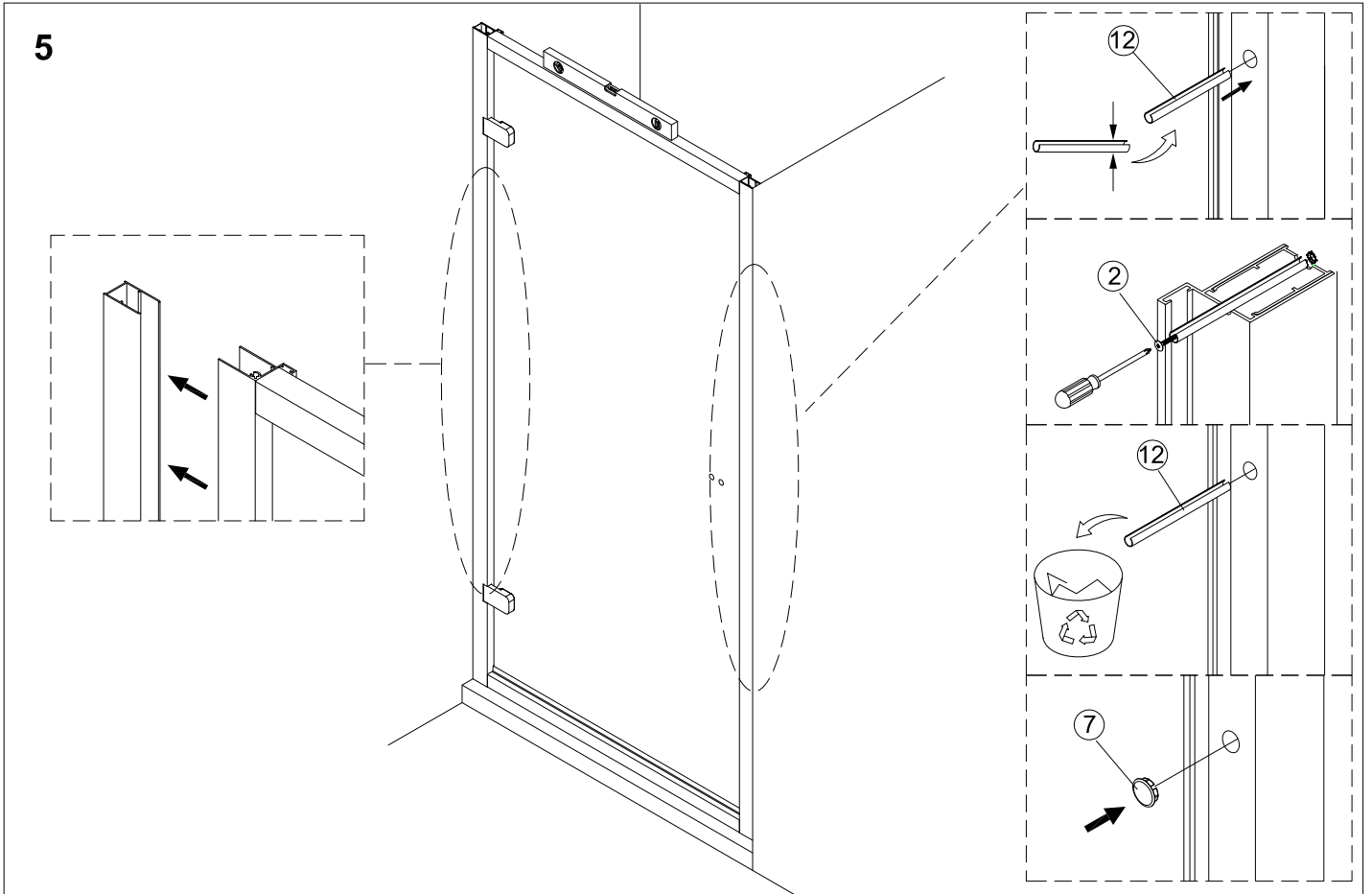


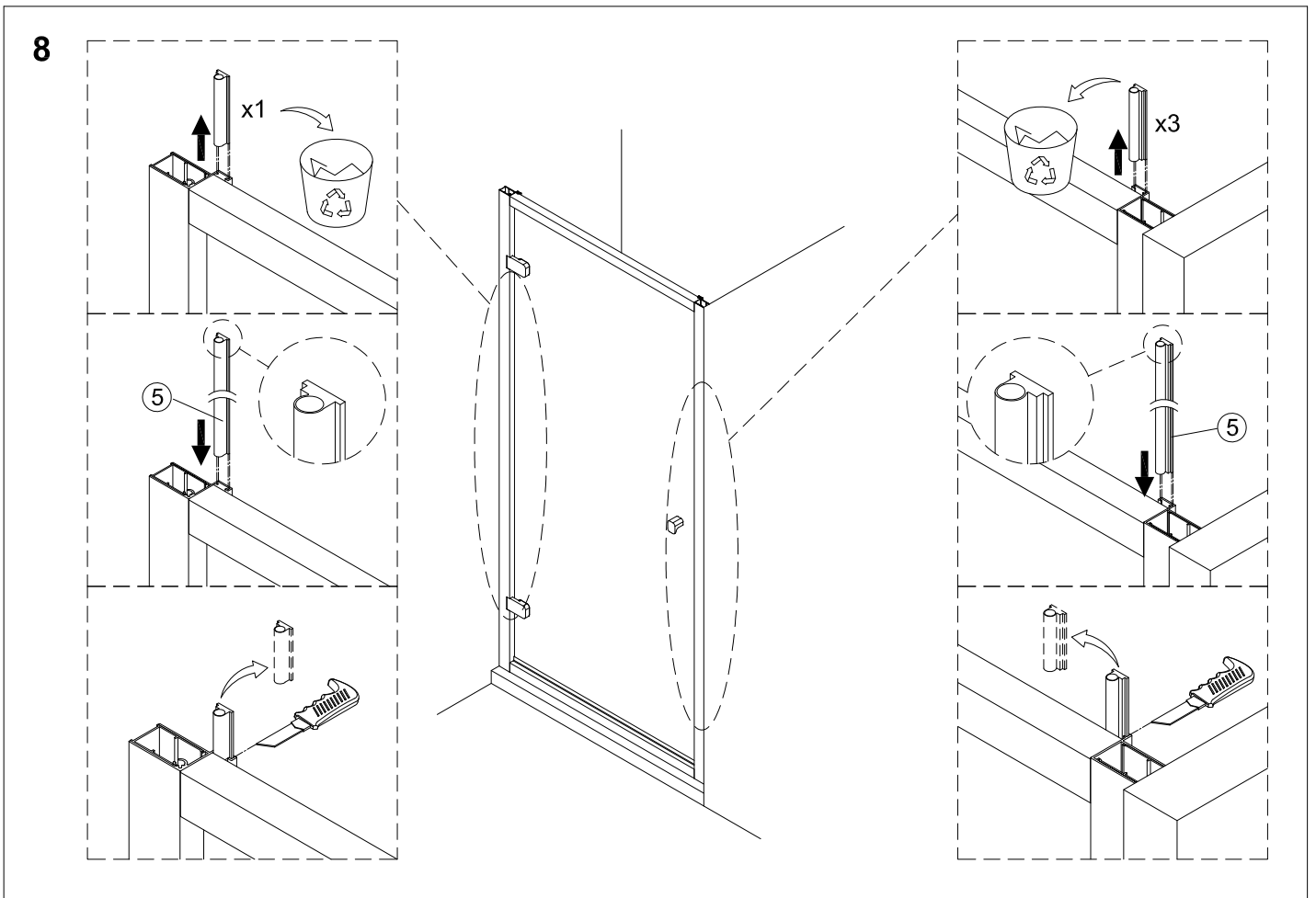
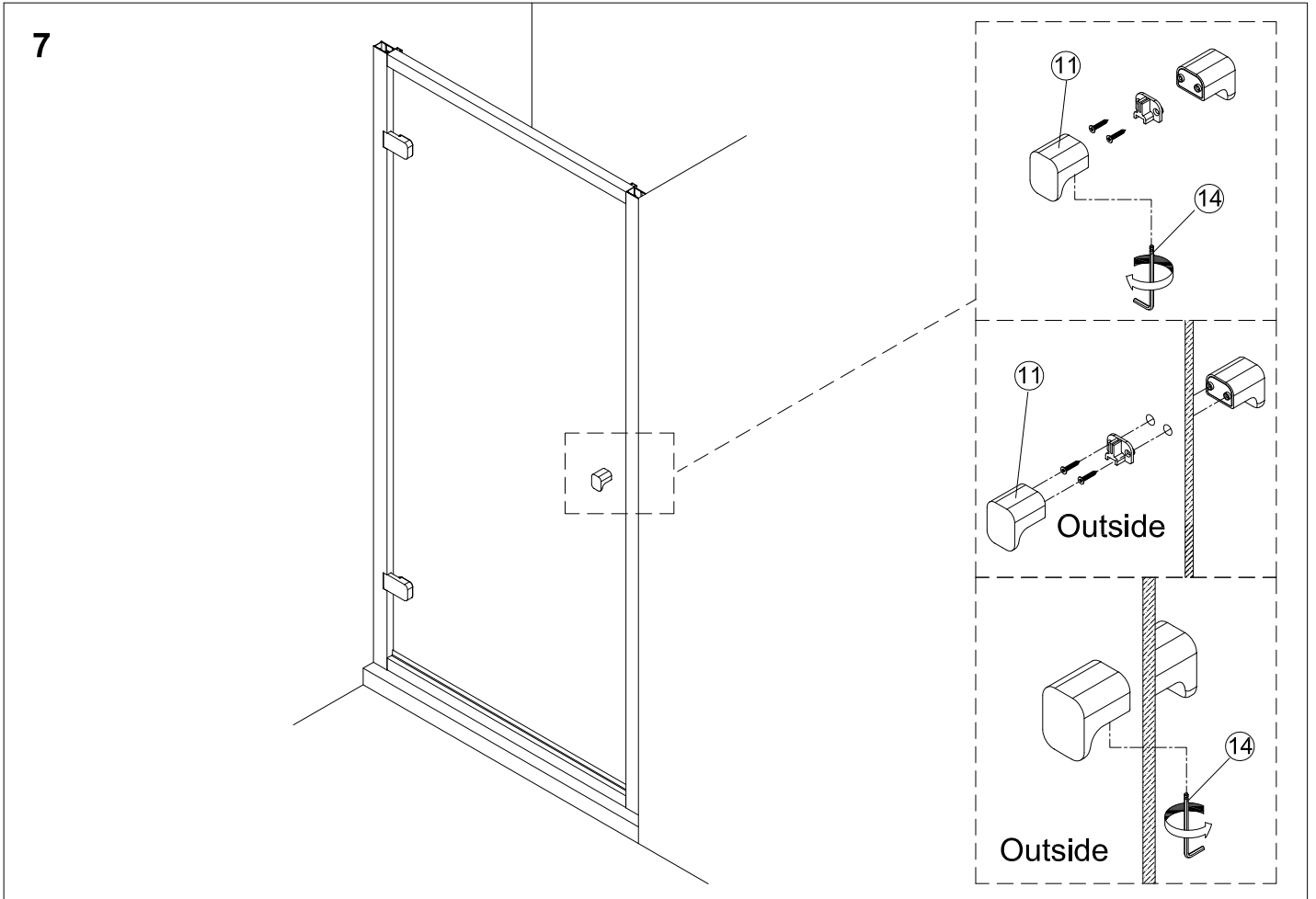
2

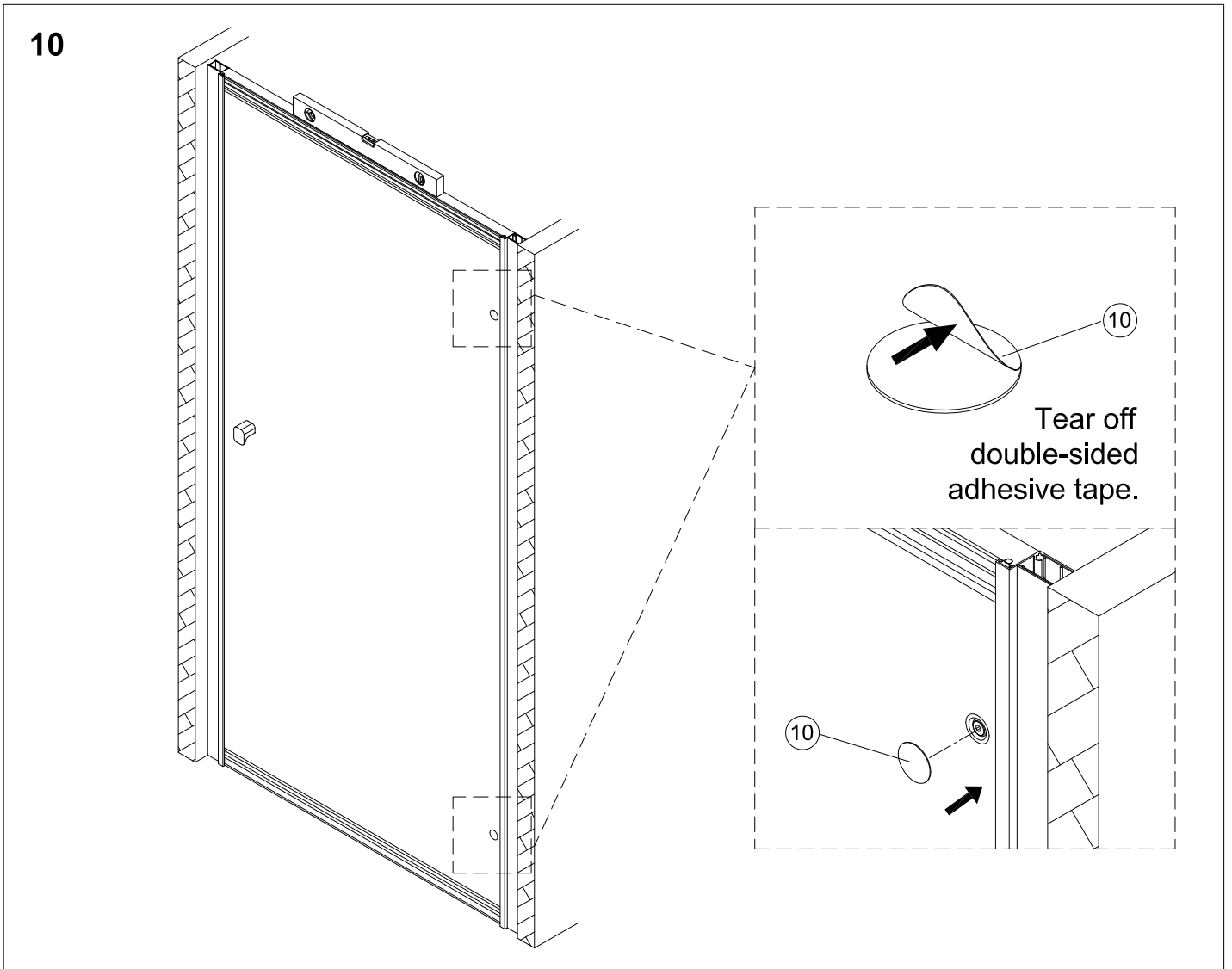
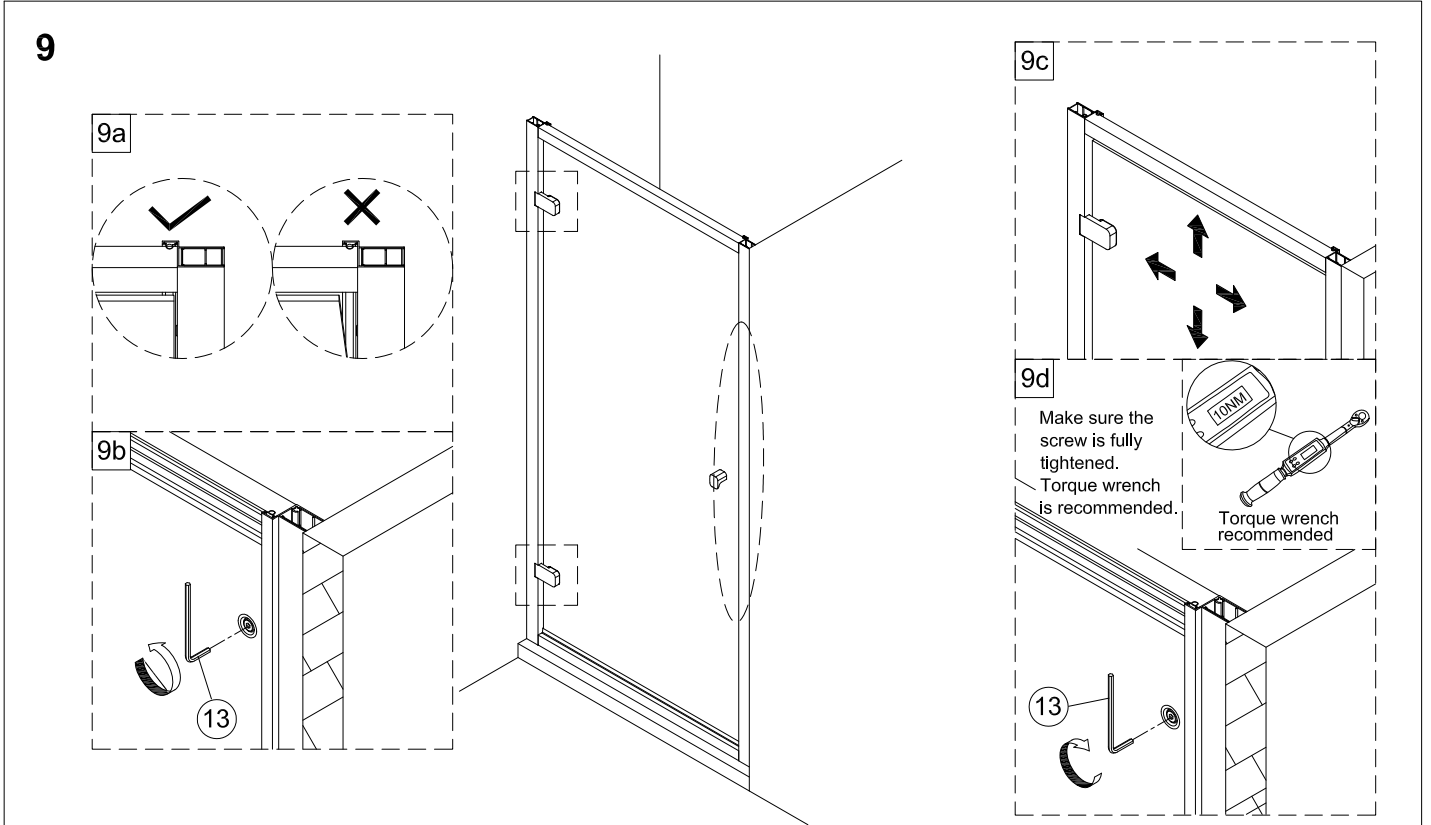
4



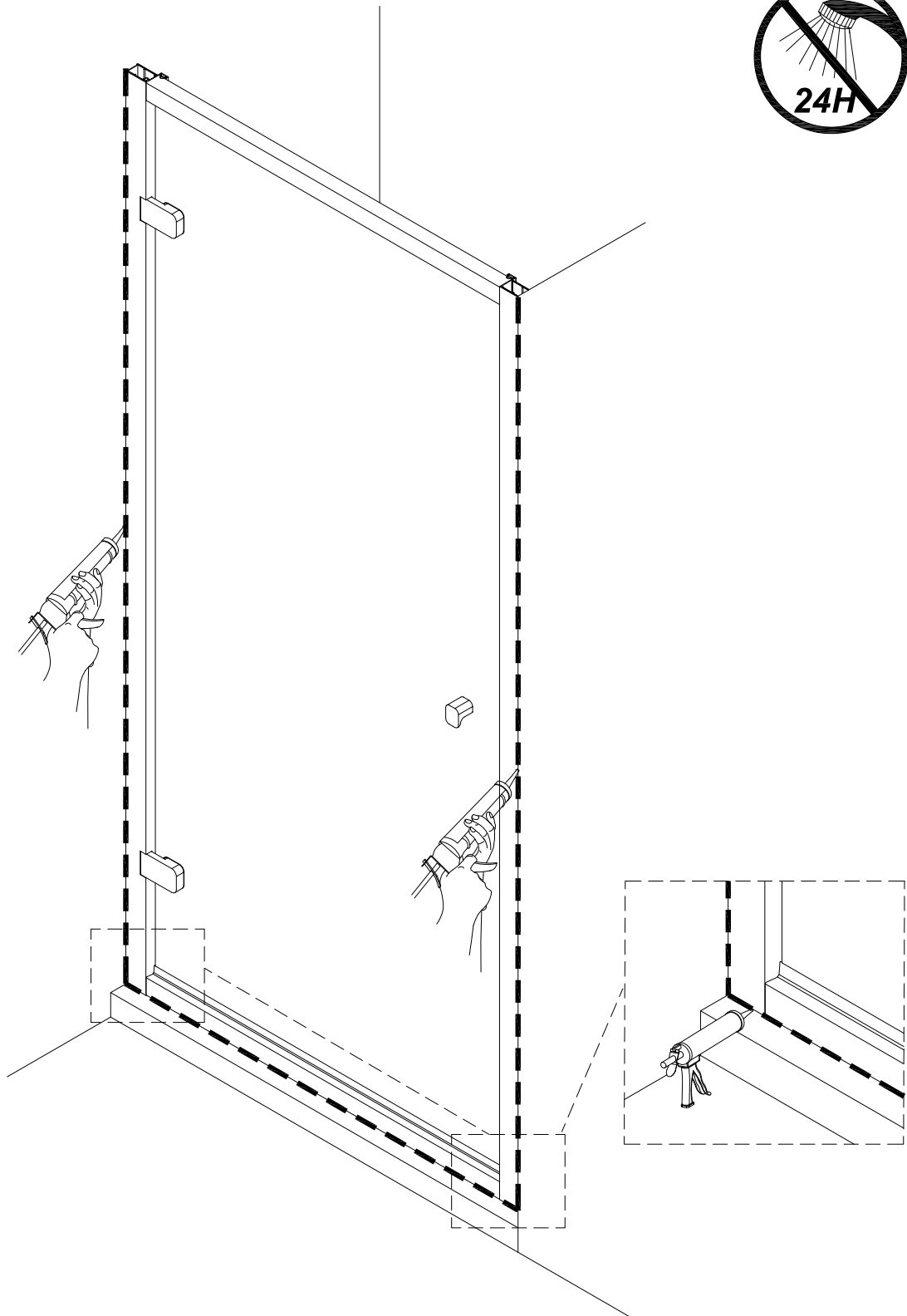
8







11



MAINTENANCE FOR EASY CLEAN GLASS

The side with the label "EASY CLEAN THIS SIDE" is coated.

For routine cleaning we recommend the use of clean lukewarm water and a soft cloth in combination with a regular (non-abrasive) household cleaner.

Please see our website www.bathstore.com for any assistance.