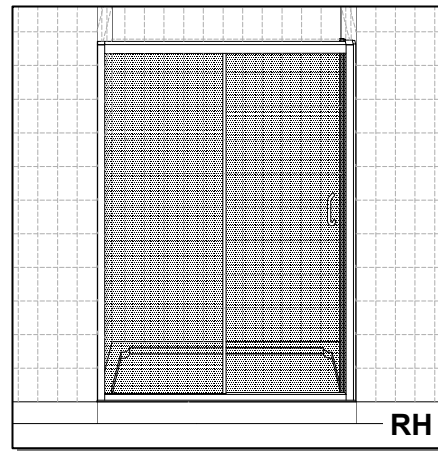
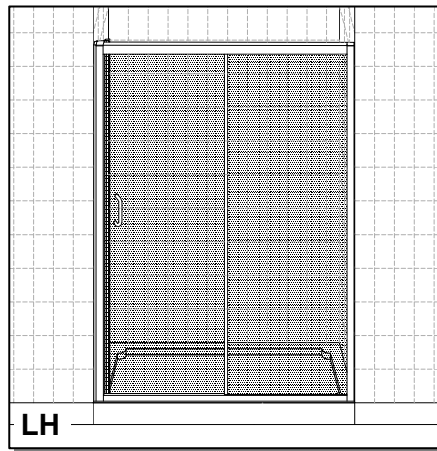
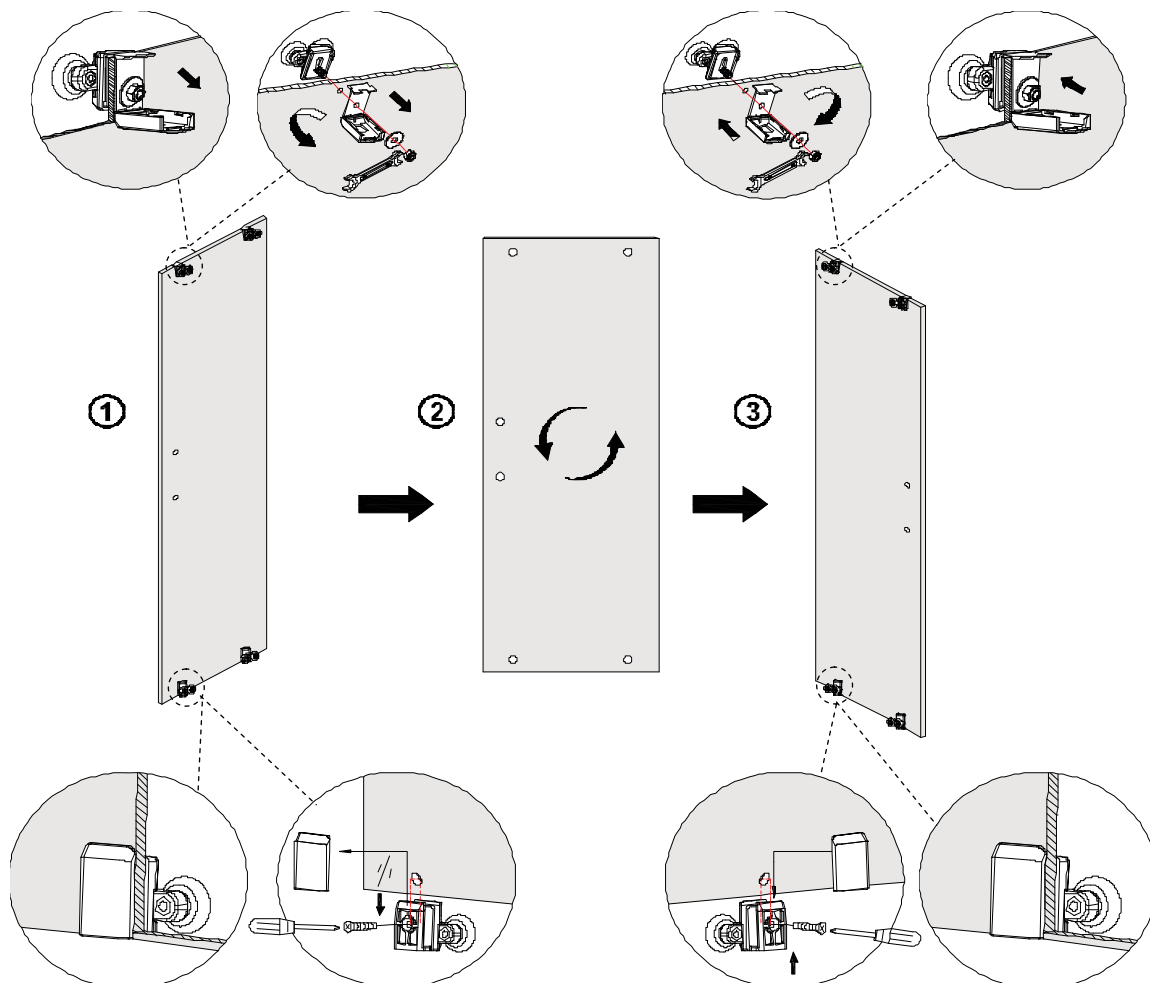


ATLAS 1100mm, 1200mm, 1400mm SLIDING DOOR CHROME FRAME CLEAR GLASS

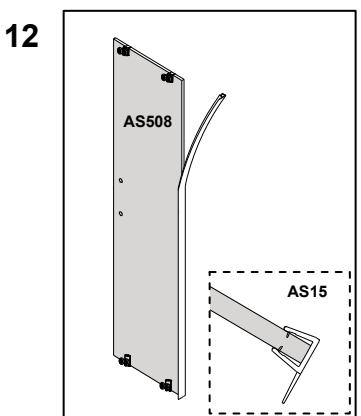
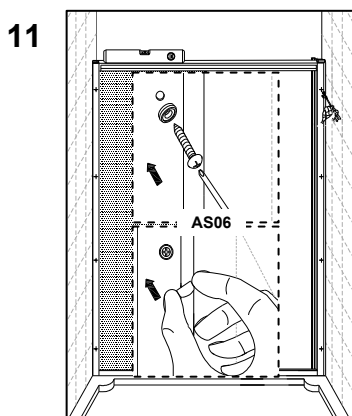
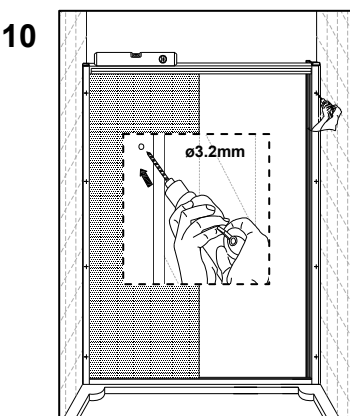
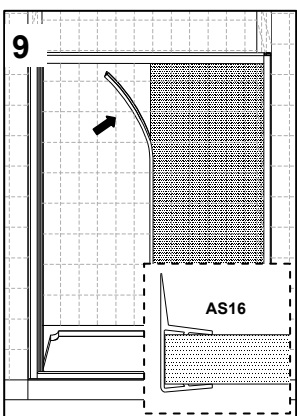
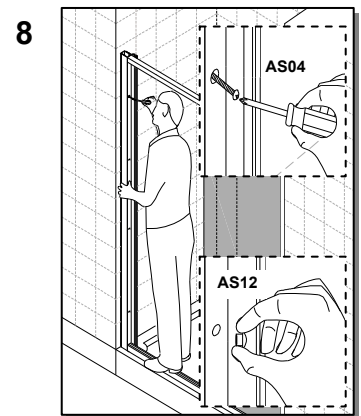
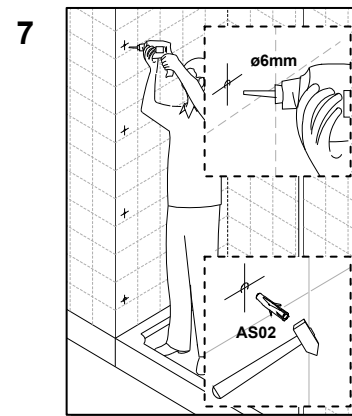
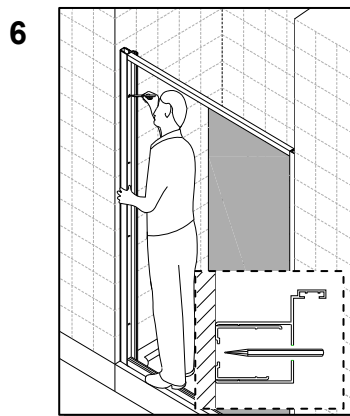
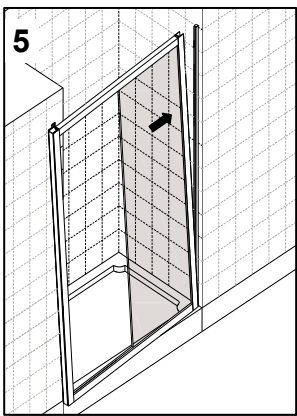
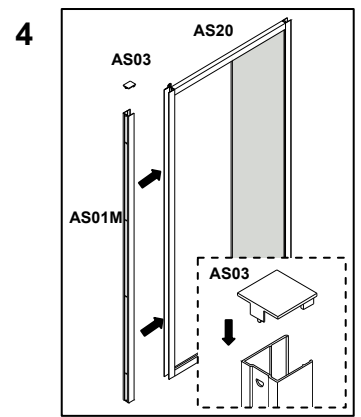
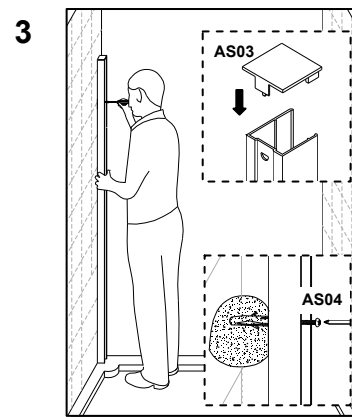
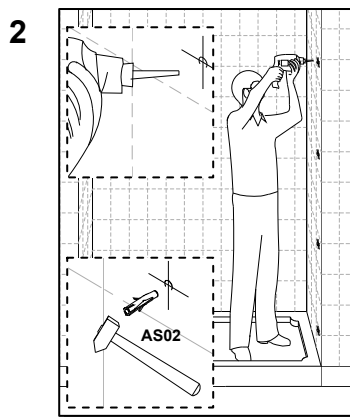
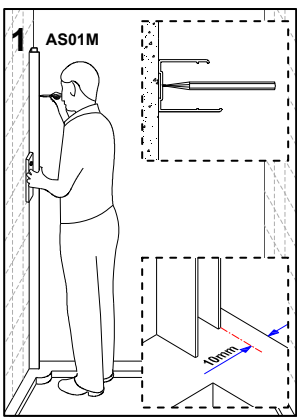
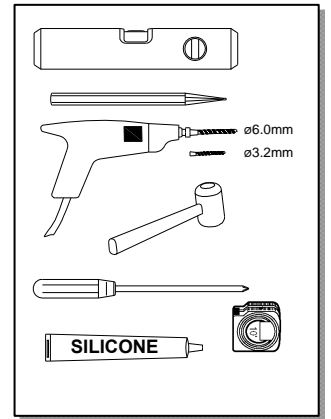
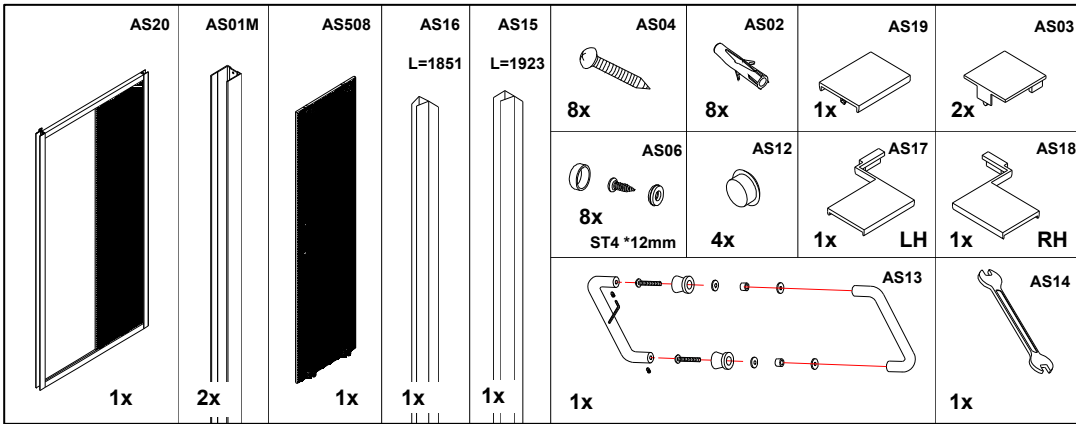


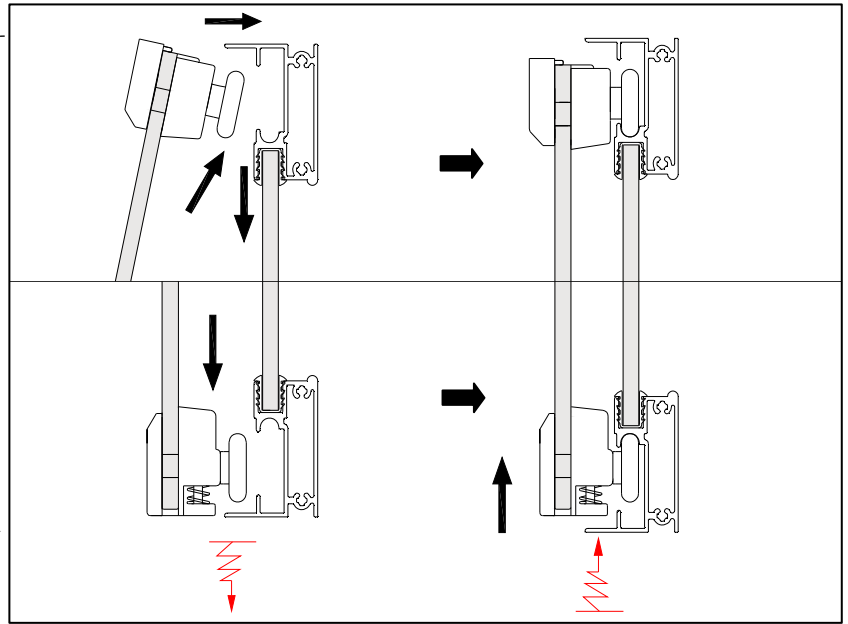
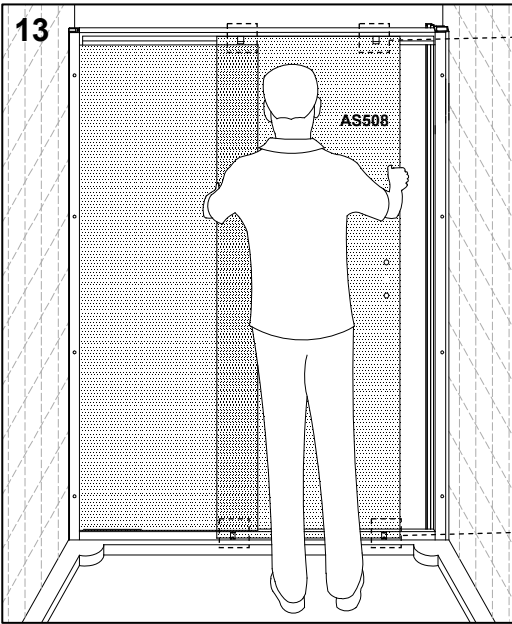
The Slider shower enclosure is reversible for left or right hand fitting. While the installation of the enclosure is LH, You just ignore the diagram below. For the RH installation, the diagram below should be followed.

- 1: Disassemble the top and bottom roller using the tool supplied (as14) .
- 2: Turn the glass up side down.
- 3: Reinstall the top and bottom roller.

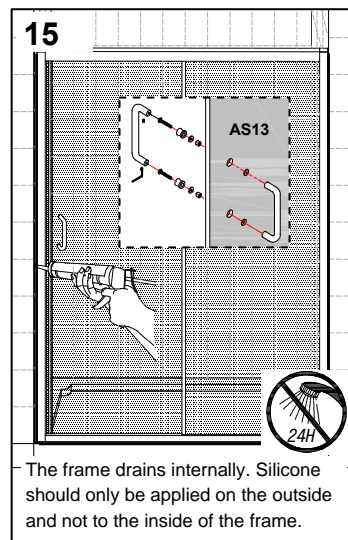
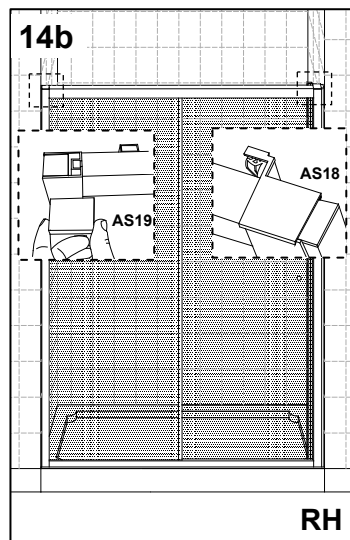
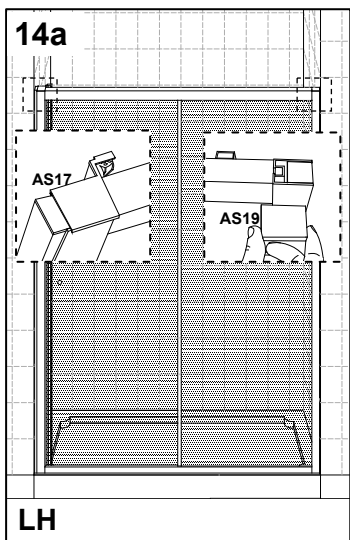
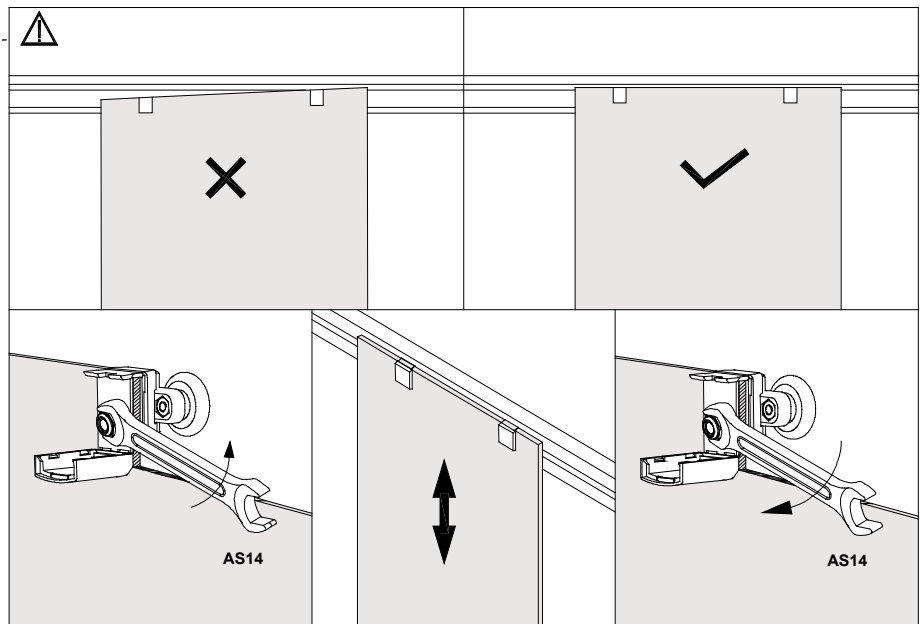
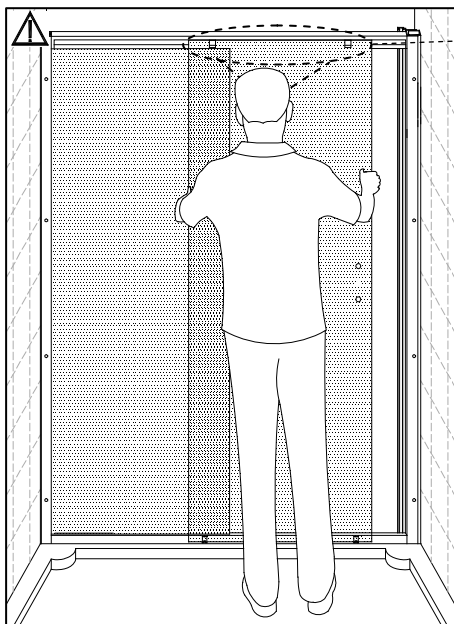


The tray should be installed by a suitably qualified person. The tray should be level, the walls should be tiled down to the tray, and the horizontal gap between the tiles and tray must be sealed with silicone sealant to ensure water-tightness.

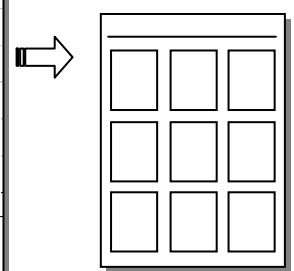




⚠ Only if adjustment is required.



SLIDING DOOR
+
SIDE PANEL



The frame drains internally. Silicone should only be applied on the outside and not to the inside of the frame.