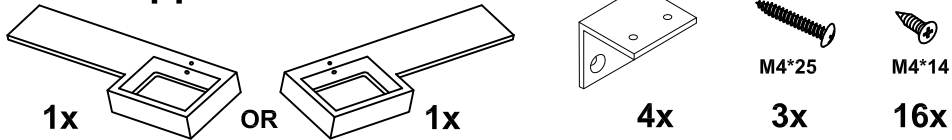


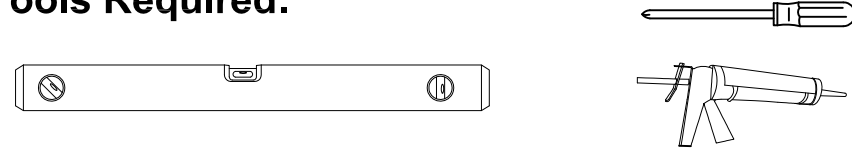
MyPlan™ Left/Right Hand 1500 Basin with Worktop 1500W x 450D with Overflow Instructions

41405011510
41405011520

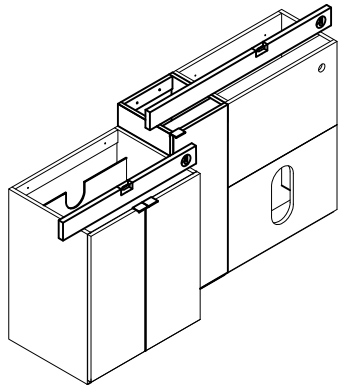
Parts Supplied:



Tools Required:

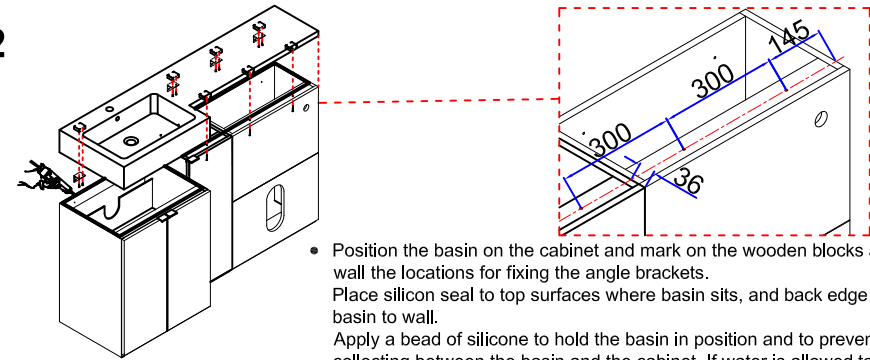


1



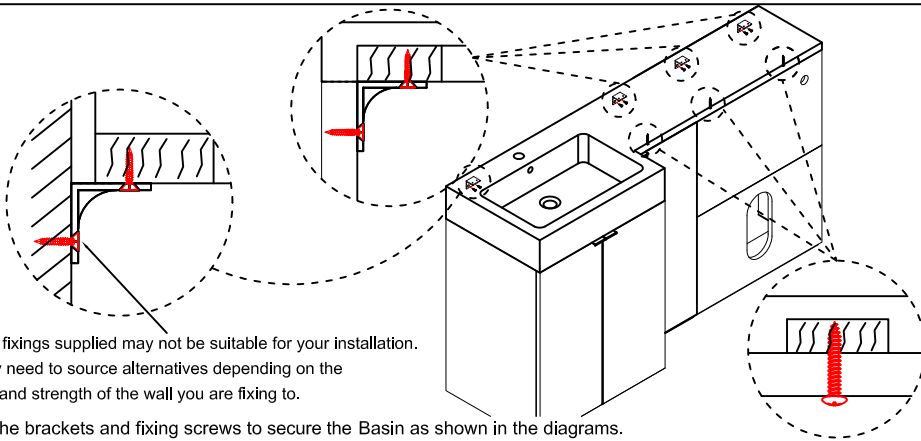
- Make sure that the cabinets are level, and flush.

2



- Position the basin on the cabinet and mark on the wooden blocks and wall the locations for fixing the angle brackets. Place silicon seal to top surfaces where basin sits, and back edge of basin to wall. Apply a bead of silicone to hold the basin in position and to prevent water collecting between the basin and the cabinet. If water is allowed to collect between the basin and the cabinet it can cause damage to the furniture panels.

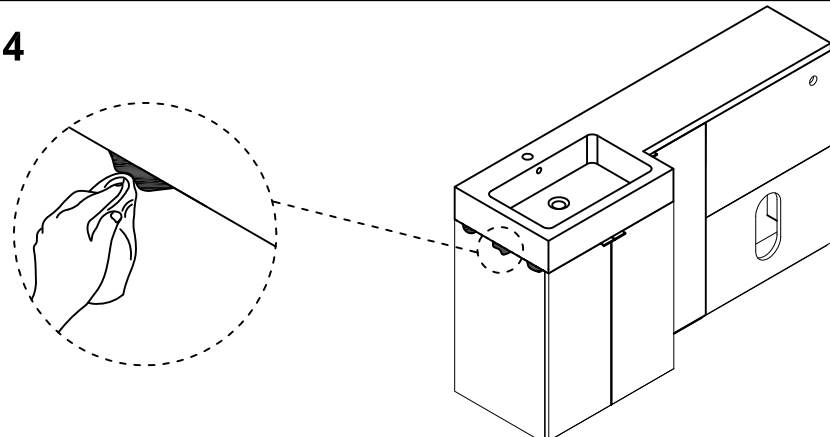
3



The wall fixings supplied may not be suitable for your installation. You may need to source alternatives depending on the material and strength of the wall you are fixing to.

- Use the brackets and fixing screws to secure the Basin as shown in the diagrams. Please make sure use the bracket and fixing screw to secure the basin with wall as shown in diagrams.

4



- The Basin should be cleaned using soft damp cloth with common detergent. Do not use any abrasive agents.

Care and Maintenance

Please leave with the householder

This basin or counter top is made of Polymarble and should only be cleaned using a soft damp cloth. Do not use bleach or any abrasive cleaner. The surface can be damaged by very hot water. Do not pour boiling water onto it or stand very hot objects on it.